



INTERPUMPGROUP

E2

I
GB
F

ISTRUZIONI D'USO
INSTRUCTIONS FOR USE
MODE D'EMPLOI

D
E
P

BEDIENUNGSANLEITUNG
INSTRUCCIONES DE USO
INSTRUÇÕES DE USO

Questo manuale deve essere letto e compreso in accordo al libretto generico "Istruzioni d'uso e manutenzione".
 This manual must be read and followed in accordance with the generic "Instructions for Use and Maintenance" booklet.
 Ce manuel doit être lu et compris en accord avec la notice générale "Mode d'emploi et d'entretien".
 Dieses Handbuch ist in Verbindung mit dem allgemeinen Handbuch "Gebrauchs- und Wartungsanleitung" zu lesen und zu verstehen.
 Este manual debe leerse y comprenderse de acuerdo con el manual general "Instrucciones de uso y mantenimiento"
 Este manual deve ser lido e interpretado de acordo com o livro genérico "Instruções de uso e manutenção"




58

S E R I E S

Modello Model Modèle Modell Modelo	Portata Flow rate Débit Förderstrom Caudal Flujo		Pressione Pressure Pression Druck Presión Pressão			g/m rpm t/m upm r/m r/m	Potenza Power Puissance Leistung Potencia Poder		Peso Weight Poids Gewicht Peso Peso		
	L/min	gpm	bar	MPa	psi		Hp	kW	Kg	Ibs	
E2B2008	7.5	1.98	200	20.0	2900	1450	3.90	2.87	7.0	15.4	0.45
E2B2808	7.5	1.98	275	27.5	4000	1450	5.40	3.97	7.0	15.4	0.45
E2B2010	10	2.64	200	20.0	2900	1450	5.20	3.82	7.0	15.4	0.45
E2B1711	11	2.90	170	17.0	2465	1450	4.90	3.60	7.0	15.4	0.45
E2B1712	12	3.17	170	17.0	2465	1450	5.30	3.90	7.0	15.4	0.45
E2B1713	13	3.43	170	17.0	2465	1450	5.70	4.19	7.0	15.4	0.45
E2B2014	14	3.69	200	20.0	2900	1450	7.30	5.37	7.0	15.4	0.45
E2B2015	15	3.96	200	20.0	2900	1450	7.40	5.44	7.0	15.4	0.45
E2B1618	18	4.76	160	16.0	2320	1450	7.48	5.50	7.0	15.4	0.45
E2C2109	9	2.38	210	21.0	3045	1750	4.90	3.60	7.0	15.4	0.45
E2C2809	9	2.38	275	27.5	4000	1750	6.40	4.71	7.0	15.4	0.45
E2C2111	11	2.90	210	21.0	3045	1750	6.00	4.41	7.0	15.4	0.45
E2C2112	12	3.17	210	21.0	3045	1750	6.50	4.78	7.0	15.4	0.45
E2C1713	13	3.43	170	17.0	2465	1750	5.70	4.19	7.0	15.4	0.45
E2C1714	14	3.69	170	17.0	2465	1750	6.20	4.56	7.0	15.4	0.45
E2C1715	15	3.96	170	17.0	2465	1750	6.60	4.85	7.0	15.4	0.45
E2C2016	16	4.22	200	20.0	2900	1750	8.30	6.10	7.0	15.4	0.45



58**S
E
R
I
E
S**

Modello Model Modèle Modell Modelo Modelo	Portata Flow rate Débit Förderstrom Caudal Flujo		Pressione Pressure Pression Druck Presión Pressão			g/m rpm t/m upm r/m r/m	Potenza Power Puissance Leistung Potencia Poder		Peso Weight Poids Gewicht Peso Peso		
	L/min	gpm	bar	MPa	psi		Hp	kW	Kg	Ibs	
E2D2010	9.5	2.50	200	20.0	2900	2800	4.90	3.60	7.0	15.4	0.45
E2D2810	10	2.64	275	27.5	4000	2800	7.10	5.22	7.0	15.4	0.45
E2D2011	11	2.90	200	20.0	2900	2800	5.70	4.19	7.0	15.4	0.45
E2D2811	11	2.90	275	27.5	4000	2800	7.90	5.81	7.0	15.4	0.45
E2D2812	12	3.17	275	27.5	4000	2800	8.60	6.32	7.0	15.4	0.45
E2D2013	13	3.43	200	20.0	2900	2800	6.80	5.00	7.0	15.4	0.45
E2D2813	13	3.43	275	27.5	4000	2800	9.30	6.84	7.0	15.4	0.45
E2D2015	15	3.96	200	20.0	2900	2800	7.80	5.74	7.0	15.4	0.45
E2D2016	16	4.22	200	20.0	2900	2800	8.30	6.10	7.0	15.4	0.45
E2E2108	8	2.11	210	21.0	3045	3400	4.40	3.24	7.0	15.4	0.45
E2E2808	8	2.11	275	27.5	4000	3400	5.70	4.19	7.0	15.4	0.45
E2E2810	10	2.64	275	27.5	4000	3400	7.10	5.22	7.0	15.4	0.45
E2E2111	11	2.90	210	21.0	3045	3400	6.00	4.41	7.0	15.4	0.45
E2E2811	11	2.90	275	27.5	4000	3400	7.90	5.81	7.0	15.4	0.45
E2E2812	12	3.17	275	27.5	4000	3400	8.60	6.32	7.0	15.4	0.45
E2E2113	13	3.43	210	21.0	3045	3400	7.10	5.22	7.0	15.4	0.45
E2E2813	13	3.43	275	27.5	4000	3400	9.30	6.84	7.0	15.4	0.45
E2E2114	14	3.69	210	21.0	3045	3400	7.60	5.59	7.0	15.4	0.45
E2E2815	15	3.96	275	27.5	4000	3400	10.70	7.87	7.0	15.4	0.45
E2E2116	16	4.22	210	21.0	3045	3400	8.70	6.40	7.0	15.4	0.45

KIT RICAMBI – SPARE KITS

KIT NR.	KIT 269	KIT 270	KIT 271	PISTON - PISTONE D. 13			PISTON - PISTONE D. 15		
				KIT 272	KIT 275	KIT 273	KIT 272	KIT 275	KIT 273
Posizioni incluse Positions included	2 - 3 - 4 5 - 6 - 13 14 - 15 - 16 17 - (7) - (18)	8 - 9 19 - 20		22 - 23 24 - 26 28	22 - 23 24 - 25 26 - 28 29	22 - 23 24 - 26 28	22 - 23 24 - 25 26 - 28 29	22 - 23 24 - 25 26 - 28 29	
Nr. Pcs.	3	3	3	3	1	3	3	1	

E2B2008 - E2B2808 - E2B2010 - E2C109 E2C2809 - E2C2111 - E2C2112 - E2D2010 E2D2810 - E2D2011 - E2D2811 - E2D2812 E2D2013 - E2D2813 - E2D2015 - E2D2016 E2E2108 - E2E2810 - E2E2111 E2E2812 - E2E2113 - E2E2813 - E2E2815 E2E2116	
Posizioni incluse Positions included	8 - 9 19 - 20
Nr. Pcs.	3

POS	COD.	DESCRIZIONE – DESCRIPTION - KIT	NR
20	98.2137.00	Tappo M18x1.5x10	3
21	99.3175.00	Vite M8x60 UNI 5931	8
22	44.1002.51 63.1010.51	Anello di testa D. 13 Anello di testa D. 15	272-275 273-276
23	90.2602.00 90.2611.00	An. ten. alt. D. 13.0x21.0x4.0 HP An. ten. alt. D. 15.0x24.0x5.4/3.4 HP	272-275 273-276
24	90.5076.50 90.5089.90	Anello antiest. D. 13x21x3 Anello antiest. D. 15x24x2	272-275 273-276
25	58.6056.01 58.6057.01	Gr. supp. guarn./boccola D. 13 Gr. supp. guarn./boccola D. 15	275 276
26	90.3606.00	OR D. 26.7x1.78 NBR 705H 2106	3
28	90.2601.00 90.2608.00	Anello ten. alt. D. 13x20x5 LP Anello ten. alt. D. 15x22x5 LP	272-275 273-276
29	58.2106.70 58.2107.70	Anello per tenuta D. 13 Anello per tenuta D. 15	275 276
30	98.2100.00	Tappo G 3/8"x13	1
31	96.7380.00	Rosetta D. 17.5x23.0x1.5	1
32	98.2176.00	Tappo G 1/2"x10	1
33	96.7514.00	Rosetta D. 21.5x27.0x1.5	1
34	96.6990.00	Rosetta D. 7.5x23.0x0.5	3
35	58.2105.82	Guarnizione spugna D. 3.0x94.0	1
36	58.0100.22	Carter pompa	1
37	58.2104.51	Protezione	1
38	90.1565.50	Anello rad. D. 15.0x24.0x5.0/7.0	271
39	58.0500.66	Guida pistone	3
40	97.7340.00	Spinotto D. 10x29.5	3

POS	COD.	DESCRIZIONE – DESCRIPTION - KIT	NR
41	58.0300.22	Biella	3
42	90.0635.00	Anello d'arresto D. 25	1
43	99.1837.00	Vite M6x14 UNI 5931	8
44	53.2108.51	Vestrino spia livello olio	1
45	63.0202.65 63.0205.65 63.0208.65 63.0212.35 63.0291.35 63.0216.35 63.0218.35	Alb. ecc. C.5 - EZE2108 Alb. ecc. C.6.5 - E2D2010 EZE2808 EZE2111 Alb. ecc. C.8 - E2D2011 EZE2810 EZE2113 Alb. ecc. C.10 - E2B2008 E2D2810 EZE2116 E2C2109 E2D2013 EZE2812 Alb. ecc. C.11 - E2D2015 E2D2811 EZE2813 Alb. ecc. C.12 - E2C2111 E2D2016 E2D2812 Alb. ecc. C.13 - E2B2010 E2B2808 EZE2815 E2C2112 E2C2809 E2D2813	1
46	91.8331.00	Cuscinetto a sfera	2
47	90.3898.00	OR D. 56.82x2.62 NBR 705H 3225	1
48	90.1641.00	Anello rad. D. 25.0x62.0x10.0	1
49	91.4892.00	Linguetta 8.0x7.0x35.0	1
50	98.2105.00	Asta livello olio G 3/8"x51	1
51	90.3925.50	OR D. 113.97x2.62 NBR 705H 3450	1
52	58.1600.22	Coperchio posteriore	1
53	98.2042.50	Tappo G 1/4"x9 TE17 - Zinc.	1
54	90.3585.00	OR D. 10.82x1.78 NBR 705H 2043	1
55	98.1966.00	Tappo G 1/8"x8	1
56	99.3037.00	Vite M8x16 UNI 5739	4
57	96.7016.00	Rosetta D. 8.4x14.4x2.0	4
58	50.2000.74	Piedino pompa	2
59	90.3859.00	OR D. 25.07x2.62 NBR 705H 3100	1
60	90.0671.00	Anello d'arresto Z130	1
61	58.1501.22	Coperchio laterale	1

PISTON - PISTONE D. 13		PISTON - PISTONE D. 15	
POS	COD.	DESCRIZIONE – DESCRIPTION - KIT	NR
1	58.1200.41 58.1201.41	Testata pompa D. 13 Testata pompa D. 15	1
2	36.2025.51	Guida valvola d'aspirazione	269
3	94.7376.00	Molla Dm. 9.4x14.8	269
4	36.2001.76	Valvola sferica	269
5	36.2003.66	Sede valvola d'aspirazione	269
6	90.3841.00	OR D. 17.13x2.62 NBR 705H 3068	269
7	36.7115.01	Gr. valvola d'aspirazione	269
8	90.3847.00	OR D. 20.29x2.62 NBR 905H 3081	270
9	98.2226.00	Tappo M24x1.5x16.7	270
10	99.1690.00	Vite M5x55	3
11	96.6905.00	Rosetta D. 5.0x11.5x0.4	3
12	58.0400.09 58.0401.09	Pistone D. 13x42 Pistone D. 15x42	3
13	90.3674.00	OR D. 12.00x2.00 NBR 705H	269
14	36.2113.66	Sede valvola di mandata	269
15	36.2112.76	Valvola sferica	269
16	94.7333.00	Molla Dm. 6.2x10.4	269
17	36.2111.51	Guida valvola di mandata	269
18	36.7193.01	Gr. valvola mandata	269
19	90.3593.00	OR D. 15.60x1.78 NBR 705H 2062	270

E2B1618 - E2B1711 - E2B1712 - E2B1713 E2B2014 - E2B2015 - E2C1713 - E2C1714 E2C1715 - E2C2016
--

PISTON - PISTONED. 18		PISTON - PISTONED. 20	
E2B1711 - E2B1712 - E2B1713 E2B2014 - E2B2015 - E2C1713 E2C1714 - E2C1715 - E2C2016	E2B1618		

OTTONE - BRASS		NICKEL	
E2B1711 - E2B1712 - E2B1713 E2B2014 - E2B2015 - E2C1713 E2C1714 - E2C1715 - E2C2016 E2B1618	E2B2015		

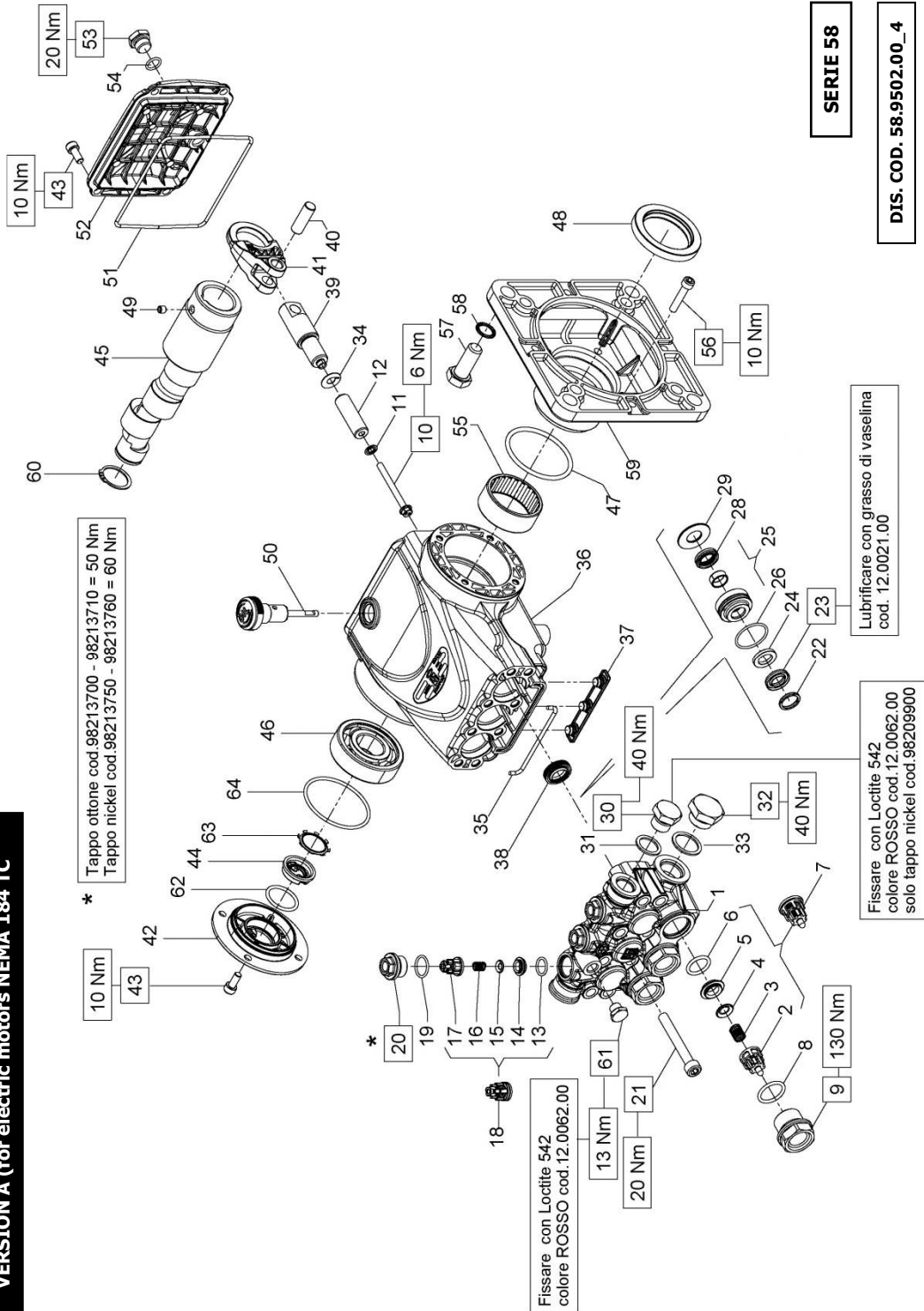
POS	COD.	DESCRIZIONE - DESCRIPTION - KIT	NR
1	58.1202.41 58.1206.41 58.1207.41	Testata pompa D. 18 Testata pompa D. 20 Testata pompa D. 18 - NK	1
2	36.2025.51	Guida valvola d'aspirazione	269 3
3	94.7376.00	Molla Dm. 9.4x14.8	269 3
4	36.2001.76	Valvola sferica	269 3
5	36.2003.66	Sede valvola d'aspirazione	269 3
6	90.3841.00	OR D. 17.13x2.62 NBR 70SH 3068	269 3
7	36.7115.01	Gr. valvola d'aspirazione	269 3
8	90.3847.00	OR D. 20.29x2.62 NBR 90SH 3081	270-292 3
9	98.2226.00 98.2225.00	Tappo M24x1.5x16.7 Tappo M24x1.5x16.7 - NK	270 292 3
10	99.1690.00	Vite M5x55	269 3
11	96.6905.00	Rosetta D. 5.0x11.5x0.4	269 3
12	58.0402.09 59.0400.09	Pistone D. 18x42 Pistone D. 20x42	269 3
13	90.3674.00	OR D. 12.00x2.00 NBR 70SH	269 3
14	36.2113.66	Sede valvola di mandata	269 3
15	36.2112.76	Valvola sferica	269 3
16	94.7333.00	Molla Dm. 6.2x10.4	269 3
17	36.2111.51	Guida valvola di mandata	269 3
18	36.7193.01	Gr. valvola mandata	269 3
19	90.3593.00	OR D. 15.60x1.78 NBR 70SH 2062	270-292 3

KIT RICAMBI - SPARE KITS

KIT NR.	KIT 269	KIT 270	KIT 292	KIT 271	PISTON - PISTONE D. 18	PISTON - PISTONE D. 20
Posizioni include Positions included	2 - 3 - 4 5 - 6 - 13 14 - 15 - 16 17 - (7) - (18)	8 - 9 19 - 20	8 - 9 19 - 20	38	KIT 274 KIT 277 KIT 329	KIT 330 KIT 329 KIT 330
Nr. Pcs.	3	3	3	3	1	3
					1	1

POS	COD.	DESCRIZIONE - DESCRIPTION - KIT	NR
20	98.2137.00 98.2137.50	Tappo M18x1.5x10 Tappo M18x1.5x10 - NK	270 292 3
21	99.3175.00	Vite M8x60 UNI 5931	8
22	63.1011.51 66.1007.51	Anello di testa D. 18 Anello di testa D. 20	274-277 329-330 3
23	90.2653.50 90.2691.00	An. ten. alt. D. 18.0x28.0x6.0/3.7 HP An. ten. alt. D. 20.0x30.0x6.0/3.7 HP	274-277 274-277 329-330 3
24	90.5111.50 90.5134.00	Anello antiest. D. 18x28x2 Anello antiest. D. 20x30x2	274-277 329-330 3
25	58.6058.01 58.6059.01	Gr. supp. guarn./boccola D. 18 Gr. supp. guarn./boccola D. 20	277 330 3
26	90.3606.00 90.3608.00	OR D. 26.7x1.78 NBR 70SH 2106 OR D. 28.3x1.78 NBR 70SH, 2112	274-277 329-330 3
28	90.2650.00 90.2687.50	Anello ten. alt. D. 18x24x5 LP Anello ten. alt. D. 20x26x5 LP	274-277 329-330 3
29	58.2110.70 58.2110.70	Anello per tenuta D. 18 Anello per tenuta D. 20	277 330 3
30	98.2100.00 98.2099.00	Tappo G 3/8"x13 Tappo G 3/8"x13 - NK	1
31	96.7380.00	Rosetta D. 17.5x23.0x1.5	1
32	98.2176.00 98.2179.00	Tappo G 1/2"x10 Tappo G 1/2"x10 - NK	1
33	96.7514.00	Rosetta D. 21.5x27.0x1.5	1
34	96.6990.00	Rosetta D. 7.5x23.0x0.5	3
35	58.2105.82	Guarnizione spugna D. 3.0x94.0	1
36	58.0100.22	Carter pompa	1
37	58.2104.51	Protezione	1
38	90.1565.50	Anello rad. D. 15.0x24.0x5.0/7.0	271 3

POS	COD.	DESCRIZIONE - DESCRIPTION - KIT	NR
39	58.0500.66	Guida pistone	3
40	97.7340.00	Spinotto D. 10x29.5	3
41	58.0300.22	Biella	3
42	90.0635.00	Anello d'arresto D. 25	1
43	99.1837.00	Vite M6x14 UNI 5931	8
44	53.2108.51	Vetrino spia livello olio	1
45	63.0212.35 63.0291.35 63.0216.35 63.0218.35 58.0201.65	Alb. ecc. C.10 - E2B1711 E2C1713 Alb. ecc. C.11 - E2B1712 E2C1714 Alb. ecc. C.12 - E2B1713 E2C1715 Alb. ecc. C.13 - E2B2014 E2C2016 Alb. ecc. C.14 - E2B1618 E2B2015	1
46	91.8331.00	Cuscinetto a sfere	2
47	90.3898.00	OR D. 56.82x2.62 NBR 70SH 3225	1
48	90.1641.00	Anello rad. D. 25.0x62.0x10.0	1
49	91.4892.00 98.2105.00	Linguetta 8.0x7.0x3.5.0 Asta livello olio G 3/8"x51	1 1
51	90.3925.50	OR D. 113.97x2.62 NBR 70SH 3450	1
52	58.1600.22	Coperchio posteriore	1
53	98.2042.50	Tappo G 1/4"x9 TE17 - Zinc.	1
54	90.3585.00	OR D. 10.82x1.78 NBR 70SH 2043	1
55	98.1966.00 98.1967.00	Tappo G 1/8"x8 Tappo G 1/8"x8 - NK	1
56	99.3037.00	Vite M8x16 UNI 5739	4
57	96.7016.00	Rosetta D. 8.4x14.4x2.0	4
58	50.2000.74	Piedino pompa	2
59	90.3859.00	OR D. 25.07x2.62 NBR 70SH 3100	1
60	90.0671.00	Anello d'arresto ZJ30	1
61	58.1501.22	Coperchio laterale carter	1



*
 Tappo ottone cod.98213700 - 98213710 = 50 Nm
 Tappo nickel cod.98213750 - 98213760 = 60 Nm

*
 Fissare con Loctite 542
 colore ROSSO cod.12.0062.00

Fissare con Loctite 542
 colore ROSSO cod.12.0062.00
 solo tappo nickel cod.98209900

Lubrificare con grasso di vaselina
 cod. 12.0021.00

SERIE 58

DIS. COD. 58.9502.00_4

KIT RICAMBI - SPARE KITS

KIT NR.		KIT 269	KIT 270	KIT 271	PISTON - PISTONE D. 15		PISTON - PISTONE D. 18	
Posizioni incluse positions included		2 - 3 - 4 5 - 6 - 13 14 - 15 - 16 17 - (7) - (18)	8 - 9 19 - 20	38	KIT 273	KIT 276	KIT 274	KIT 277
Nr. Pcs.		3	3	3	3	1	3	1

POS	COD.	DESCRIZIONE - DESCRIPTION - KIT	NR
22	63.1010.51	Anello di testa D. 15	273-276
	63.1011.51	Anello di testa D. 18	274-277
23	90.2611.00	An. ten. alt. D. 15.0x24.0x5.4/3.4 HP	273-276
	90.2653.50	An. ten. alt. D. 18.0x28.0x6.0/3.7 HP	273-276
			274-277
24	90.5089.90	Anello antiest. D. 15x24x2	273-276
	90.5111.50	Anello antiest. D. 18x28x2	274-277
25	58.6057.01	Gr. supp. guarn./boccola D. 15	276
	58.6058.01	Gr. supp. guarn./boccola D. 18	277
26	90.3606.00	OR D. 26.7x1.78 NBR 705H 2106	273-274-276-277
28	90.2608.00	Anello ten. alt. D. 15x22x5 LP	273-276
	90.2650.00	Anello ten. alt. D. 18x24x5 LP	274-277
29	58.2107.70	Anello per tenuta D. 15	276
	58.2108.70	Anello per tenuta D. 18	277
30	98.2100.00	Tappo G 3/8"x13	1
31	96.7380.00	Rosetta D. 17.5x23.0x1.5	1
32	98.2176.00	Tappo G 1/2"x10	1
33	96.7514.00	Rosetta D. 21.5x27.0x1.5	1
34	96.6990.00	Rosetta D. 7.5x23.0x0.5	3
35	58.2105.82	Guarnizione spugna D. 3.0x94.0	1
36	58.0100.22	Carter pompa	1
37	58.2104.51	Protezione	1
38	90.1565.50	Anello rad. D. 15.0x24.0x5.0/7.0	271
39	58.0500.66	Guida pistone	3
40	97.7340.00	Spinotto D. 10x29.5	3
41	58.0300.22	Biella	3
42	58.1501.22	Coperchio laterale	1

E2C2109 - E2C2111 - E2C1713 - E2C1714 - E2C1715		PISTON - PISTONE D. 18	
E2C2109 - E2C2111		E2C1713 - E2C1714 - E2C1715	

POS	COD.	DESCRIZIONE - DESCRIPTION - KIT	NR
1	58.1201.41	Testata pompa D. 15	1
	58.1202.41	Testata pompa D. 18	
2	36.2025.51	Guida valvola d'aspirazione	269
3	94.7376.00	Molla Dm. 9.4x14.8	269
4	36.2001.76	Valvola sferica	269
5	36.2003.66	Sede valvola d'aspirazione	269
6	90.3841.00	OR D. 17.13x2.62 NBR 705H 3068	269
7	36.7115.01	Gr. valvola d'aspirazione	269
8	90.3847.00	OR D. 20.29x2.62 NBR 905H 3081	270
9	98.2226.00	Tappo M24x1.5x16.7	270
10	99.1690.00	Vite M5x55	3
11	96.6905.00	Rosetta D. 5.0x11.5x0.4	3
12	58.0401.09	Pistone D. 15x42	3
	58.0402.09	Pistone D. 18x42	
13	90.3674.00	OR D. 12.00x2.00 NBR 705H	269
14	36.2113.66	Sede valvola di mandata	269
15	36.2112.76	Valvola sferica	269
16	94.7333.00	Molla Dm. 6.2x10.4	269
17	36.2111.51	Guida valvola di mandata	269
18	36.7193.01	Gr. valvola mandata	269
19	90.3593.00	OR D. 15.60x1.78 NBR 705H 2062	270
20	98.2137.00	Tappo M18x1.5x10	270
21	99.3175.00	Vite M8x60 UNI 5931	8

KIT RICAMBI - SPARE KITS

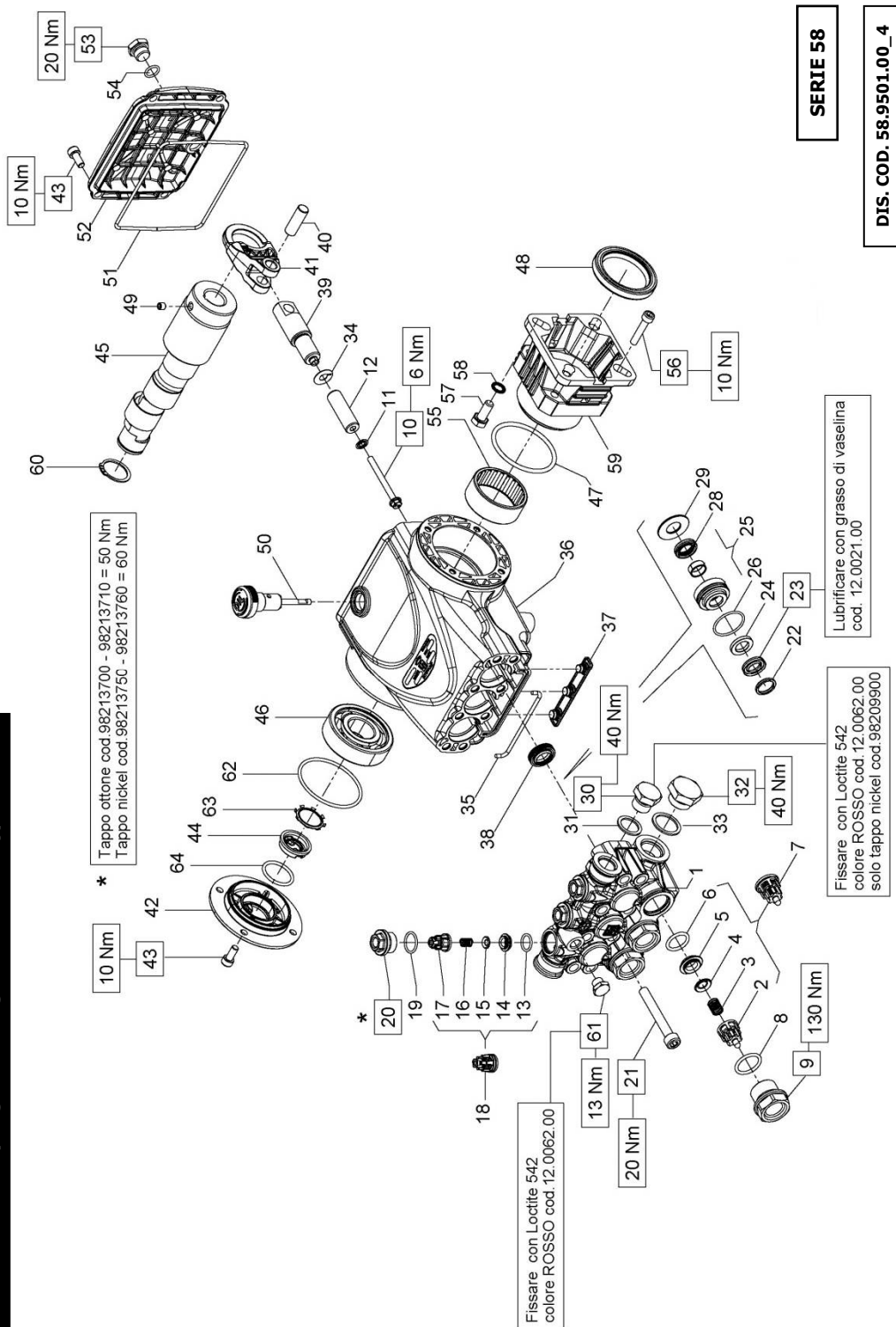
KIT NR.	KIT 269	KIT 270	KIT 271	PISTON - PISTONE D. 13		PISTON - PISTONE D. 15		PISTON - PISTONE D. 18	
				KIT 272	KIT 275	KIT 273	KIT 276	KIT 274	KIT 277
Posizioni incluse Positions included	2 - 3 - 4 5 - 6 - 13 14 - 15 - 16 17 - (7) - (18)	8 - 9 19 - 20	38	22 - 23 24 - 26 28	22 - 23 24 - 26 26 - 28 29	22 - 23 24 - 26 28	22 - 23 24 - 25 26 - 28 29	22 - 23 24 - 25 26 - 28 29	22 - 23 24 - 25 26 - 28 29
Nr. Pcs.	3	3	3	3	1	3	1	3	1

POS	COD.	DESCRIZIONE - DESCRIPTION - KIT	NR
40	97.7340.00	Spinotto D. 10x29,5	3
41	58.0300.22	Biella	3
42	58.1501.22	Coperchio laterale	1
43	99.1837.00	Vite M6x14 UNI 5931	8
44	53.2108.51	Vetrino spia livello olio	1
45	63.0245.65	Alb. ecc. C.6.5 - E2D2010	1
	63.0248.65	Alb. ecc. C.8 - E2D2011	
46	63.0252.65	Alb. ecc. C.10 - E2B2008 E2D2810 E2B1711 E2D2013	1
	63.0293.65	Alb. ecc. C.11 - E2D2015 E2D2811 E2B1712	
	63.0256.65	Alb. ecc. C.12 - E2B1713 E2D2016 E2D2812	
	63.0295.65	Alb. ecc. C.13 - E2B2010 E2B2808 E2B2014 E2D2813	
46	91.8331.00	Cuscinetto a sfere	1
47	90.4097.00	OR D. 55.56x3.53 NBR 70SH 159	1
48	90.1690.00	Anello rad. D. 45.0x62.0x8.0	1
49	98.2105.00	Asta livello olio G 3/8"x51	1
50	90.3925.50	OR D. 113.97x2.62 NBR 70SH 3450	1
51	58.1600.22	Coperchio posteriore	1
52	98.2042.50	Tappo G 1/4"x9 TE17 - Zinc.	1
53	90.3585.00	OR D. 10.82x1.78 NBR 70SH 2043	1
54	91.8568.00	Boccola a rullini	1
55	99.1912.00	Vite M6x30 5931	4
56	99.3067.00	Vite M8x25 5739	4
57	96.7014.00	Rosetta D. 8.4x13.0x0.7	4
58	10.0494.22	Flangia motore elettrico 100-112 B14	1
59	90.0635.00	Anello d'arresto D. 25	1
60	98.1966.00	Tappo G 1/8"x8	1
61	90.3859.00	OR D. 25.07x2.62 NBR 70SH 3100	1
62	90.0671.00	Anello d'arresto Z130	1
63	90.3898.00	OR D. 56.82x2.62 NBR 70SH 3225	1

POS	COD.	DESCRIZIONE - DESCRIPTION - KIT	NR
22	44.1002.51	Anello di testa D. 13	272-275
	63.1010.51	Anello di testa D. 15	273-276
	63.1011.51	Anello di testa D. 18	274-277
23	90.2602.00	An. ten. alt. D. 13.0x21.0x4.0 HP	272-275
	90.2611.00	An. ten. alt. D. 15.0x24.0x5.4/3.4 HP	273-276
	90.2653.50	An. ten. alt. D. 18.0x28.0x6.0/3.7 HP	274-277
24	90.5076.50	Anello antiest. D. 13x21x3	272-275
	90.5089.90	Anello antiest. D. 15x24x2	273-276
	90.5111.50	Anello antiest. D. 18x28x2	274-277
25	58.6056.01	Gr. supp. guarn./boccola D. 13	275
	58.6057.01	Gr. supp. guarn./boccola D. 15	276
	58.6058.01	Gr. supp. guarn./boccola D. 18	277
26	90.3606.00	OR D. 26.7x1.78 NBR 70SH 2106 272-273-274-275-276-277	3
28	90.2601.00	Anello ten. alt. D. 13x20x5 LP	272-275
	90.2608.00	Anello ten. alt. D. 15x22x5 LP	273-276
	90.2650.00	Anello ten. alt. D. 18x24x5 LP	274-277
29	58.2106.70	Anello per tenuta D. 13	275
	58.2107.70	Anello per tenuta D. 15	276
	58.2108.70	Anello per tenuta D. 18	277
30	98.2100.00	Tappo G 3/8"x13	1
31	96.7380.00	Rosetta D. 17.5x23.0x1.5	1
32	98.2176.00	Tappo G 1/2"x10	1
33	96.7514.00	Rosetta D. 21.5x27.0x1.5	1
34	96.6990.00	Rosetta D. 7.5x23.0x0.5	3
35	58.2105.82	Guarnizione spugna D. 3.0x94.0	1
36	58.0100.22	Cartier pompa	1
37	58.2104.51	Protezione	1
38	90.1565.50	Anello rad. D. 15.0x24.0x5.0/7.0	271
39	58.0500.66	Guida pistone	3

E2B2808 - E2B2808 - E2B2010 - E2D2010	PISTON D. 15	PISTON D. 18
E2D2810 - E2D2011 - E2D2811 - E2D2812	E2B2008 - E2B2010	E2B1711 - E2B1712
E2D2013 - E2D2813 - E2D2015 - E2D2016	E2D2010 - E2D2011	E2B1713 - E2B2014
E2B1711 - E2B1712 - E2B1713 - E2B2014	E2D2013 - E2D2015	E2D2016

POS	COD.	DESCRIZIONE - DESCRIPTION - KIT	NR
1	58.1200.41	Testata pompa D. 13	1
	58.1201.41	Testata pompa D. 15	
	58.1202.41	Testata pompa D. 18	
2	36.2025.51	Guida valvola d'aspirazione	269
3	94.7376.00	Molla Dm. 9.4x14.8	269
4	36.2001.76	Valvola sferica	269
5	36.2003.66	Sede valvola d'aspirazione	269
6	90.3841.00	OR D. 17.13x2.62 NBR 70SH 3068	269
7	36.7115.01	Gr. valvola d'aspirazione	269
8	90.3847.00	OR D. 20.29x2.62 NBR 90SH 3081	270
9	98.2226.00	Tappo M24x1.5x16.7	270
10	99.1690.00	Vite M5x55	3
11	96.6905.00	Rosetta D. 5.0x11.5x0.4	3
12	58.0400.09	Pistone D. 13x42	3
	58.0401.09	Pistone D. 15x42	
	58.0402.09	Pistone D. 18x42	
13	90.3674.00	OR D. 12.00x2.00 NBR 70SH	269
14	36.2113.66	Sede valvola di mandata	269
15	36.2112.76	Valvola sferica	269
16	94.7333.00	Molla Dm. 6.2x10.4	269
17	36.2111.51	Guida valvola di mandata	269
18	36.7193.01	Gr. valvola mandata	269
19	90.3593.00	OR D. 15.60x1.78 NBR 70SH 2062	270
20	98.2137.00	Tappo M18x1.5x10	270
21	99.3175.00	Vite M8x60 UNI 5931	8



*
 Tappo ottone cod.98213700 - 98213710 = 50 Nm
 Tappo nickel cod.98213750 - 98213760 = 60 Nm

Fissare con Loctite 542
 colore ROSSO cod.12.0062.00

Lubrificare con grasso di vaselina
 cod. 12.0021.00

Fissare con Loctite 542
 colore ROSSO cod.12.0062.00
 solo tappo nickel cod.98209900

SERIE 58

DIS. COD. 58.9501.00_4

KIT RICAMBI - SPARE KITS

KIT NR.	KIT 269	KIT 270	KIT 271	KIT 273	KIT 276
Posizioni include Positions included	2 - 3 - 4 5 - 6 - 13 14 - 15 - 16 17 - (7) - (18)	8 - 9 19 - 20	38	22 - 23 24 - 25 26 - 28 28	22 - 23 24 - 25 26 - 28 29
Nr. Pcs.	3	3	3	3	1

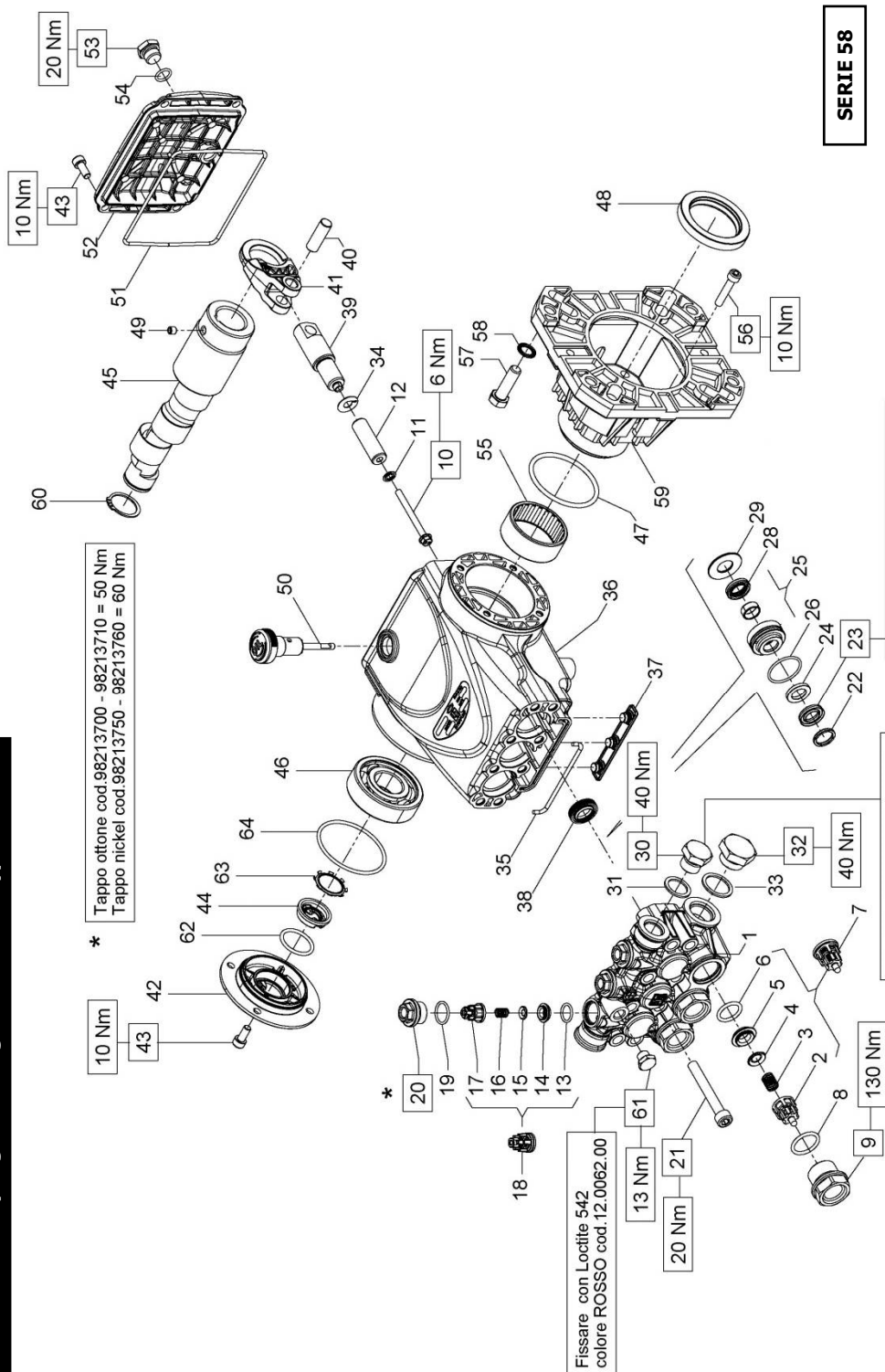
POS	COD.	DESCRIZIONE - DESCRIPTION - KIT	NR	POS	COD.	DESCRIZIONE - DESCRIPTION - KIT	NR
28	90.2608.00	Anello ten. alt. D. 15x22x5 LP 273-276	3	55	91.8568.00	Boccola a rullini	1
29	58.2107.70	Anello per tenuta D. 15	276	56	99.1912.00	Vite M6x30 5931	4
30	98.2100.00	Tappo G 3/8"x13	1	57	99.2730.00	Vite 5/16"x3/4"	4
31	96.7380.00	Rosetta D. 17.5x23,0x1.5	1	58	96.7014.00	Rosetta D. 8.4x13,0x0.7	4
32	98.2176.00	Tappo G 1/2"x10	1	59	10.0617.22	Flangia motore a scoppio SAE 1609	1
33	96.7514.00	Rosetta D. 21.5x27,0x1.5	1	60	90.0635.00	Anello d'arresto D. 25	1
34	96.6990.00	Rosetta D. 7.5x23,0x0.5	3	61	98.1966.00	Tappo G 1/8"x8	1
35	58.2105.82	Guarnizione spugna D. 3.0x94.0	1	62	90.3859.00	OR D. 25.07x2.62 NBR 70SH 3100	1
36	58.0100.22	Carter pompa	1	63	90.0671.00	Anello d'arresto ZJ30	1
37	58.2104.51	Protezione	1	64	90.3898.00	OR D. 56.82x2.62 NBR 70SH 3225	1

POS	COD.	DESCRIZIONE - DESCRIPTION - KIT	NR	POS	COD.	DESCRIZIONE - DESCRIPTION - KIT	NR
38	90.1565.50	Anello rad. D. 15.0x24,0x5,07/0 271	3	42	58.1501.22	Coperchio laterale	1
39	58.0500.66	Guida pistone	3	43	99.1837.00	Vite M6x14 UNI 5931	8
40	97.7340.00	Spinotto D. 10x29.5	3	44	53.2108.51	Vetrino spia livello olio	1
41	58.0300.22	Biella	3	45	63.0265.65	Alb. ecc. C.5 - EZE2108	1
42	58.1501.22	Coperchio laterale	1	46	63.0264.65	Alb. ecc. C.6.5 - EZE2111	1
43	99.1837.00	Vite M6x14 UNI 5931	8	47	63.0266.65	Alb. ecc. C.8 - EZE2113	1
44	53.2108.51	Vetrino spia livello olio	1	48	91.8331.00	Cuscinetto a sfere	1
45	63.0265.65	Alb. ecc. C.5 - EZE2108	1	49	90.4097.00	OR D. 55.56x3.53 NBR 70SH 159	1
46	63.0264.65	Alb. ecc. C.6.5 - EZE2111	1	48	90.1687.00	Anello rad. D. 45.0x60.0x8.0	1
47	63.0266.65	Alb. ecc. C.8 - EZE2113	1	49	99.1790.00	Vite M6x06 5929	1
48	91.8331.00	Cuscinetto a sfere	1	50	98.2105.00	Asta livello olio G 3/8"x51	1
49	90.4097.00	OR D. 55.56x3.53 NBR 70SH 159	1	51	90.3925.50	OR D. 113.97x2.62 NBR 70SH 3450	1
50	90.1687.00	Anello rad. D. 45.0x60.0x8.0	1	52	58.1600.22	Coperchio posteriore	1
51	99.1790.00	Vite M6x06 5929	1	53	98.2042.50	Tappo G 1/4"x9 TE17 - Zinc.	1
52	98.2105.00	Asta livello olio G 3/8"x51	1	54	90.3585.00	OR D. 10.82x1.78 NBR 70SH 2043	1
53	90.3925.50	OR D. 113.97x2.62 NBR 70SH 3450	1				
54	58.1600.22	Coperchio posteriore	1				
55	98.2042.50	Tappo G 1/4"x9 TE17 - Zinc.	1				
56	90.3585.00	OR D. 10.82x1.78 NBR 70SH 2043	1				

EZE2108 - EZE2111 - EZE2113

POS	COD.	DESCRIZIONE - DESCRIPTION - KIT	NR	POS	COD.	DESCRIZIONE - DESCRIPTION - KIT	NR
1	58.1201.41	Trestata pompa D. 15	1	10	99.1690.00	Vite M5x55	3
2	36.2025.51	Guida valvola d'aspirazione	269	11	96.6905.00	Rosetta D. 5.0x11,5x0,4	3
3	94.7376.00	Molla Dm. 9.4x14.8	269	12	58.0401.09	Pistone D. 15x42	3
4	36.2001.76	Valvola sferica	269	13	90.3674.00	OR D. 12.00x2.00 NBR 70SH	269
5	36.2003.66	Sede valvola d'aspirazione	269	14	36.2113.66	Sede valvola di mandata	269
6	90.3841.00	OR D. 17.113x2.62 NBR 70SH 3068	269	15	36.2112.76	Valvola sferica	269
7	36.7115.01	Gr. valvola d'aspirazione	269	16	94.7333.00	Molla Dm. 6.2x10.4	269
8	90.3847.00	OR D. 20.29x2.62 NBR 90SH 3081	270	17	36.2111.51	Guida valvola di mandata	269
9	98.2226.00	Tappo M24x1,5x16.7	270	18	36.7193.01	Gr. valvola mandata	269
10	99.1690.00	Vite M5x55	3	19	90.3593.00	OR D. 15.60x1.78 NBR 70SH 2062	270
11	96.6905.00	Rosetta D. 5.0x11,5x0,4	3	20	98.2137.00	Tappo M18x1,5x10	270
12	58.0401.09	Pistone D. 15x42	3	21	99.3175.00	Vite M8x60 UNI 5931	8
13	90.3674.00	OR D. 12.00x2.00 NBR 70SH	269	22	63.1010.51	Anello di testa D. 15	273-276
14	36.2113.66	Sede valvola di mandata	269	23	90.2611.00	An. ten. alt. D. 15.0x24,0x5,4/3,4 HP	273-276
15	36.2112.76	Valvola sferica	269	24	90.5089.90	Anello antfest. D. 15x24x2	273-276
16	94.7333.00	Molla Dm. 6.2x10.4	269	25	58.6057.01	Gr. supp. guam./boccola D. 15	276
17	36.2111.51	Guida valvola di mandata	269	26	90.3606.00	OR D. 26.7x1.78 NBR 70SH 2106	273-276
18	36.7193.01	Gr. valvola mandata	269				
19	90.3593.00	OR D. 15.60x1.78 NBR 70SH 2062	270				
20	98.2137.00	Tappo M18x1,5x10	270				
21	99.3175.00	Vite M8x60 UNI 5931	8				
22	63.1010.51	Anello di testa D. 15	273-276				
23	90.2611.00	An. ten. alt. D. 15.0x24,0x5,4/3,4 HP	273-276				
24	90.5089.90	Anello antfest. D. 15x24x2	273-276				
25	58.6057.01	Gr. supp. guam./boccola D. 15	276				
26	90.3606.00	OR D. 26.7x1.78 NBR 70SH 2106	273-276				

VERSION C 1" (for gasoline engines SAE J 609 type B ext.4



SERIE 58

DIS. COD. 58.9504.00_4

Lubrificare con grasso di vasellina cod. 12.0021.00

Fissare con Loctite 542 colore ROSSO cod.12.0062.00 solo tappo nickel cod.98209900

EZE2108 - EZE2808 - EZE2810 - EZE2111 EZE2811 - EZE2812 - EZE2113 - EZE2813 EZE2114 - EZE2815 - EZE2116
--

PISTON - PISTONE D. 13		PISTON - PISTONE D. 15	
EZE2808	EZE2810	EZE2111	EZE2113
EZE2812	EZE2813	EZE2116	EZE2108

OTTONE - BRASS		NICKEL	
EZE2808	EZE2810	EZE2812	EZE2815
EZE2813	EZE2111	EZE2113	EZE2114
EZE2116	EZE2108	EZE2815	

POS	COD.	DESCRIZIONE - DESCRIPTION - KIT	NR
1	58.1200.41	Testata pompa D. 13	1
2	58.1201.41	Testata pompa D. 15	
3	58.1212.41	Testata pompa D. 13 - NK	
4	36.2025.51	Guida valvola d'aspirazione	269
5	94.7376.00	Molla Dm. 9.4x14.8	269
6	36.2001.76	Valvola sferica	269
7	36.2003.66	Sede valvola d'aspirazione	269
8	90.3841.00	OR D. 17.13x2.62 NBR 70SH 3068	269
9	36.7115.01	Gr. valvola d'aspirazione	269
10	90.3847.00	OR D. 20.29x2.62 NBR 90SH 3081	270-292
11	98.2226.00	Tappo M24x1.5x16.7	270
12	98.2225.00	Tappo M24x1.5x16.7 - NK	292
13	99.1690.00	Vite M5x55	3
14	96.6905.00	Rosetta D. 5.0x11.5x0.4	3
15	58.0400.09	Pistone D. 13x42	3
16	58.0401.09	Pistone D. 15x42	3
17	90.3674.00	OR D. 12.00x2.00 NBR 70SH	269
18	36.2113.66	Sede valvola di mandata	269
19	36.2112.76	Valvola sferica	269
20	94.7333.00	Molla Dm. 6.2x10.4	269
21	36.2111.51	Guida valvola di mandata	269
22	36.7193.01	Gr. valvola mandata	269
23	90.3593.00	OR D. 15.60x1.78 NBR 70SH 2062	270-292

KIT RICAMBI - SPARE KITS

KIT NR.	KIT 269	KIT 270	KIT 292	KIT 271
Posizioni incluse Positions included	2 - 3 - 4 5 - 6 - 13 14 - 15 - 16 17 - (7) - (18)	8 - 9 19 - 20	8 - 9 19 - 20	38
Nr. Pcs.	3 + 3	3 + 3	3 + 3	3

POS	COD.	DESCRIZIONE - DESCRIPTION - KIT	NR
20	98.2137.00	Tappo M18x1.5x10	270
21	98.2137.50	Tappo M18x1.5x10 - NK	292
22	99.3175.00	Vite M8x60 UNI 5931	8
23	44.1002.51	Anello di testa D. 13	272-275
24	63.1010.51	Anello di testa D. 15	273-276
25	90.2602.00	An. ten. alt. D. 13.0x21.0x4.0 HP	272-275
26	90.2611.00	An. ten. alt. D. 15.0x24.0x5.4/3.4 HP	272-276
27	90.5076.50	Anello antiest. D. 13x21x3	272-275
28	90.5089.90	Anello antiest. D. 15x24x2	273-276
29	58.6056.01	Gr. supp. guarn./boccola D. 13	275
30	58.6057.01	Gr. supp. guarn./boccola D. 15	276
31	90.3606.00	OR D. 26.7x1.78 NBR 70SH 2106	272-273-275-276
32	90.2601.00	Anello ten. alt. D. 13x20x5 LP	272-275
33	90.2608.00	Anello ten. alt. D. 15x22x5 LP	273-276
34	58.2106.70	Anello per tenuta D. 13	275
35	58.2107.70	Anello per tenuta D. 15	276
36	98.2100.00	Tappo G 3/8"x13	1
37	98.2099.00	Tappo G 3/8"x13 - NK	1
38	96.7380.00	Rosetta D. 17.5x23.0x1.5	1
39	98.2176.00	Tappo G 1/2"x10	1
40	98.2179.00	Tappo G 1/2"x10 - NK	1
41	96.7514.00	Rosetta D. 21.5x27.0x1.5	1
42	96.6990.00	Rosetta D. 7.5x23.0x0.5	3
43	58.2105.82	Guarnizione spugna D. 3.0x94.0	1
44	58.0100.22	Carte pompa	1
45	58.2104.51	Protezione	1
46	90.1565.50	Anello rad. D. 15.0x24.0x5.0/7.0	271
47	58.0500.66	Guida pistone	3
48	97.7340.00	Spinotto D. 10x29.5	3
49	58.0300.22	Biella	3

POS	COD.	DESCRIZIONE - DESCRIPTION - KIT	NR
42	58.1501.22	Coperchio laterale	1
43	99.1837.00	Vite M6x14 UNI 5931	8
44	53.2108.51	Vetrino spia livello olio	1
45	63.0274.65	Alb. ecc. C.5 - EZE2108	
46	63.0277.65	Alb. ecc. C.6.5 - EZE2808 EZE2111	
47	63.0280.65	Alb. ecc. C.8 - EZE2810 EZE2113	
48	63.0282.65	Alb. ecc. C.9 - EZE2811 EZE2114	
49	63.0284.65	Alb. ecc. C.10 - EZE2812 EZE2116	
50	63.0292.65	Alb. ecc. C.11 - EZE2813	
51	63.0290.65	Alb. ecc. C.13 - EIE2815	
52	91.8331.00	Cuscinetto a sfere	1
53	90.4097.00	OR D. 55.56x3.53 NBR 70SH 159	1
54	90.1690.00	Anello rad. D. 45.0x62.0x8.0	1
55	99.1790.00	Vite M6x6 5929	1
56	98.2105.00	Asta livello olio G 3/8"x51	1
57	90.3925.50	OR D. 113.97x2.62 NBR 70SH 3450	1
58	58.1600.22	Coperchio posteriore	1
59	98.2042.50	Tappo G 1/4"x9 TE17 - Zinc.	1
60	90.3585.50	OR D. 10.82x1.78 NBR 70SH 2043	1
61	91.8568.00	Boccola a rullini	1
62	99.1912.00	Vite M6x30 5931	4
63	99.2755.00	Vite 5/16"x1"	4
64	99.3346.00	Vite 3/8"x1-1/4"	4
65	96.7020.00	Rosetta 8.4x15.0x1.5	4
66	96.7104.00	Rosetta 10.5x16.0x1.5	4
67	10.0518.22	Flangia motore a scoppio J609-B	1
68	90.0635.00	Anello d'arresto D. 25	1
69	98.1966.00	Tappo G 1/8"x8	1
70	98.1667.00	Tappo G 1/8"x8 - NK	1
71	90.3859.00	OR D. 25.07x2.62 NBR 70SH 3100	1
72	90.0671.00	Anello d'arresto Z130	1
73	90.3898.00	OR D. 56.82x2.62 NBR 70SH 3225	1

Fissare con Locitite 542
colore ROSSO
cod.12.0062.00

Tappo ottone cod.98213700 - 98213710 = 50 Nm
Tappo nickel cod.98213750 - 98213760 = 60 Nm

10 Nm

10 Nm

20 Nm

* 20

40 Nm

13 Nm

20 Nm

40 Nm

130 Nm

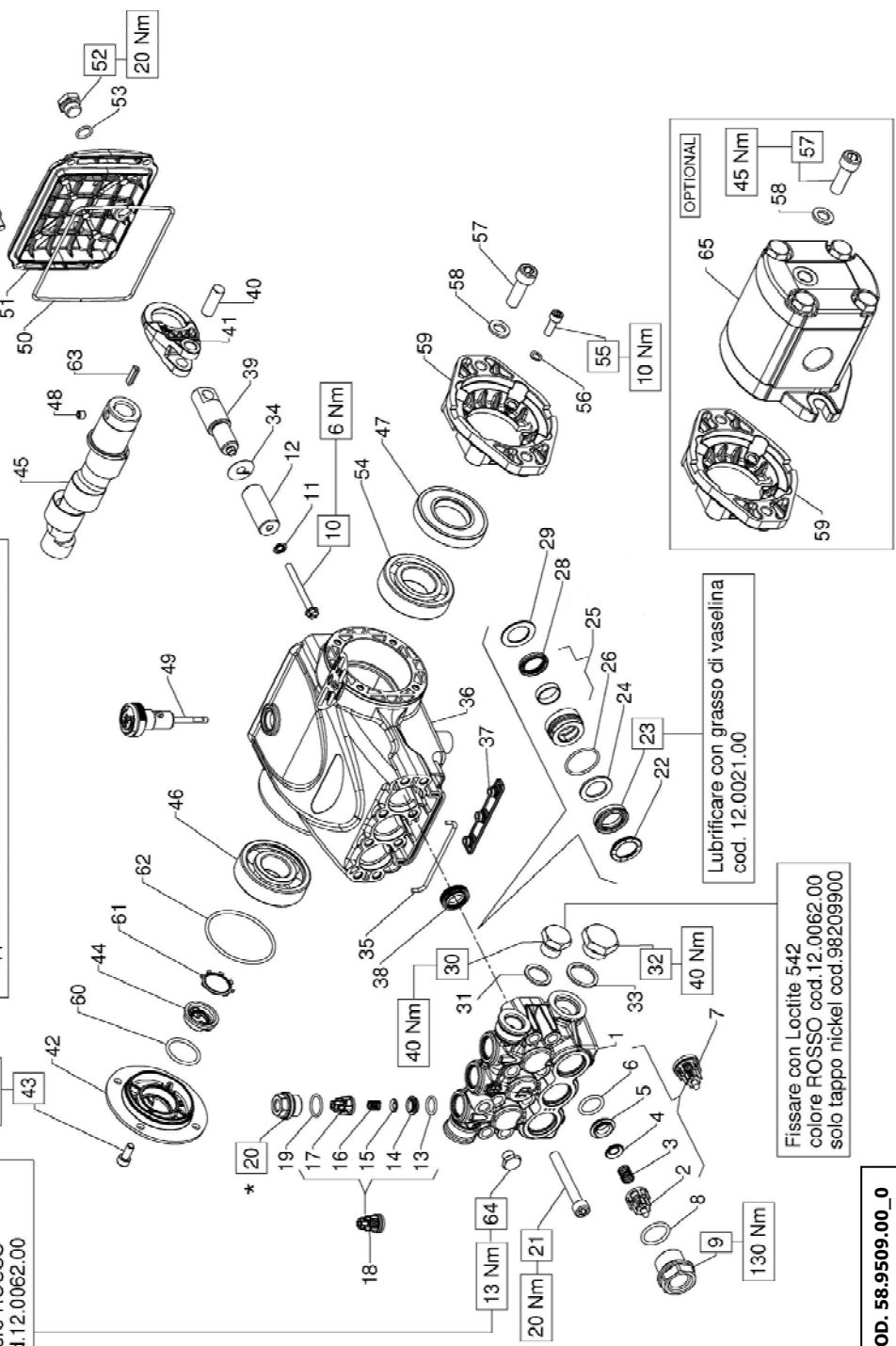
OPTIONAL

10 Nm

Lubrificare con grasso di vaselina
cod. 12.0021.00

Fissare con Locitite 542
colore ROSSO cod.12.0062.00
solo tappo nickel cod.98209900

DIS. COD. 58.9509.00_0



KIT RICAMBI - SPARE KITS

KIT NR.	KIT 269	KIT 270	KIT 292	KIT 271	KIT 274	KIT 277
Posizioni incluse Positions included	2 - 3 - 4 5 - 6 - 13 14 - 15 - 16 17 - (7) - (18)	8 - 9 19 - 20	8 - 9 19 - 20	38	22 - 23 24 - 26 28	22 - 23 24 - 25 26 - 28 29
Nr. Pcs.	3	3	3	3	3	1

POS	COD.	DESCRIZIONE - DESCRIPTION - KIT	NR
25	58.6058.01	Gr. supp. guarn./boccola D. 18	277
26	90.3606.00	OR D. 26.7x1.78 NBR 70SH 2106	274 277
28	90.2650.00	Anello ten. alt. D. 18.0x24.0x5.0 LP	274 277
29	58.2108.70	Anello per tenuta D. 18	277
30	98.2100.00 98.2099.00	Tappo G 3/8"x13 Tappo G 3/8"x13 - NK	1
31	96.7380.00	Rosetta D. 17.5x23.0x1.5	1
32	98.2176.00 98.2179.00	Tappo G 1/2"x10 Tappo G 1/2"x10 - NK	1
33	96.7514.00	Rosetta D. 21.5x27.0x1.5	1
34	96.6990.00	Rosetta D. 7.5x23.0x0.5	3
35	58.2105.82	Guarnizione spugna D. 3.0x94.0	1
36	58.0100.22	Carter pompa	1
37	58.2104.51	Protezione	1
38	90.1565.50	Anello rad. D. 15.0x24.0x5.0/7.0	271 3
39	58.0500.66	Guida pistone	3
40	97.7340.00	Spinotto D. 10x29.5	3
41	58.0300.22	Biella	3
42	58.1501.22	Coperchio laterale	1
43	99.1837.00	Vite M6x14 UNI 5931	8
44	53.2108.51	Vetrino spia livello olio	1
45	63.0237.65	Alb. ecc. C.12.5	1
46	91.8331.00	Cuscinetto a sfere	1
47	90.1651.00	Anello rad. D. 30.0x62.0x10.0	1
48	99.1790.00	Vite M6x6 5929	1
49	98.2105.00	Asta livello olio G 3/8"x51	1
50	90.3925.50	OR D. 113.97x2.62 NBR 70SH 3450	1
51	58.1600.22	Coperchio posteriore	1
52	98.2042.50	Tappo G 1/4"x9 TE17 - Zinc.	1

POS	COD.	DESCRIZIONE - DESCRIPTION - KIT	NR
1	58.1202.41 58.1207.41	Testata pompa D. 18 Testata pompa D. 18 - NK	1
2	36.2025.51	Guida valvola d'aspirazione	269 3
3	94.7376.00	Molla Dm. 9.4x14.8	269 3
4	36.2001.76	Valvola sferica	269 3
5	36.2003.66	Sede valvola d'aspirazione	269 3
6	90.3641.00	OR D. 17.13x2.62 NBR 70SH 3068	269 3
7	36.7115.01	Gr. valvola d'aspirazione	269 3
8	90.3847.00	OR D. 20.29x2.62 NBR 90SH 3081	270 292 3
9	98.2226.00 98.2225.00	Tappo M24x1.5x16.7 Tappo M24x1.5x16.7 - NK	270 292 3
10	99.1690.00	Vite M5x55	3
11	96.6905.00	Rosetta D. 5.0x11.5x0.4	3
12	58.0402.09	Pistone D. 18x42	3
13	90.3674.00	OR D. 12.00x2.00 NBR 70SH	269 3
14	36.2113.66	Sede valvola di mandata	269 3
15	36.2112.76	Valvola sferica	269 3
16	94.7333.00	Molla Dm. 6.2x10.4	269 3
17	36.2111.51	Guida valvola di mandata	269 3
18	36.7193.01	Gr. valvola di mandata	269 3
19	90.3593.00	OR D. 15.60x1.78 NBR 70SH 2062	270 292 3
20	98.2137.00 98.2137.50	Tappo M18x1.5x10 Tappo M18x1.5x10 - NK	270 292 3
21	99.3175.00	Vite M8x60 UNI 5931	8
22	63.1011.51	Anello di testa D. 18	274 277 3
23	90.2653.50	An. ten. alt. D. 18.0x28.0x6.0/3.7 HP	274 277 3
24	90.5111.50	Anello antist. D. 18.0x28.0x2.0	274 277 3

E2C2016

VH VERSION

VERSIONE CON VALVOLA DI REGOLAZIONE AUT. – VERSION WITH BUILT-IN AUT. UNLOADER

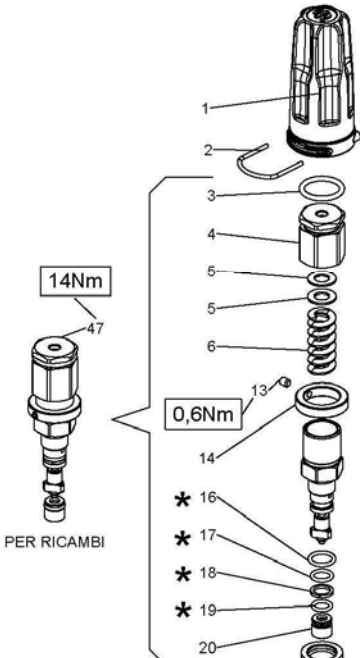
VERSION AVEC RÉGULATEUR AUT. DE PRESSION INCORPORÉ

AUSFÜHRUNG MIT EINGEBAUTEM AUT. DRUCKREGULIERVENTIL

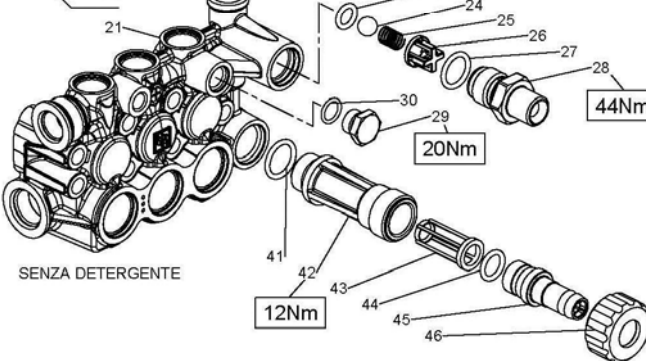
VERSIÓN CON REGULADOR AUT. DE PRESIÓN INCORPORADO - VERSÃO COM VÁLVULA DO REGULAMENTO AUT.

SERIE 58

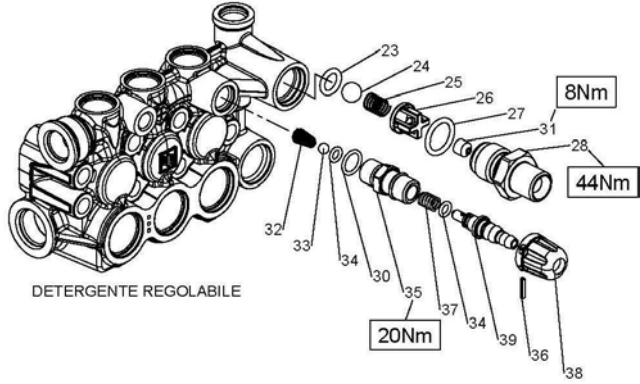
OPTIONALS



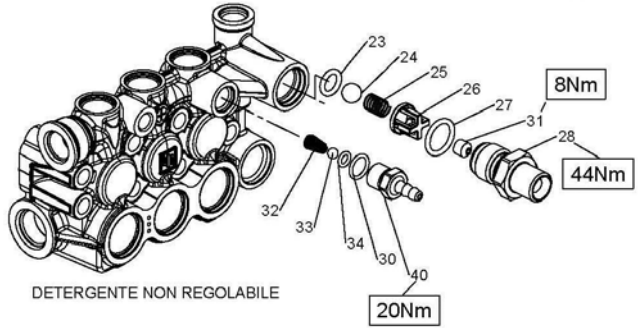
PER RICAMBI



SENZA DETERGENTE



DETERGENTE REGOLABILE



DETERGENTE NON REGOLABILE

* = Se necessario prima del montaggio ingrassare.
- Usare grasso di vaselina per pompe -

DIS. COD. 36.9547.00_3

VH VERSION

**VERSIONE CON VALVOLA DI REGOLAZIONE AUT. – VERSION WITH BUILT-IN AUT. UNLOADER
VERSION AVEC RÉGULATEUR AUT. DE PRESSION INCORPORÉ
AUSFÜHRUNG MIT EINGEBAUTEM AUT. DRUCKREGULIERVENTIL**

VERSIÓN CON REGULADOR AUT. DE PRESIÓN INCORPORADO - VERSÃO COM VÁLVULA DO REGULAMENTO AUT

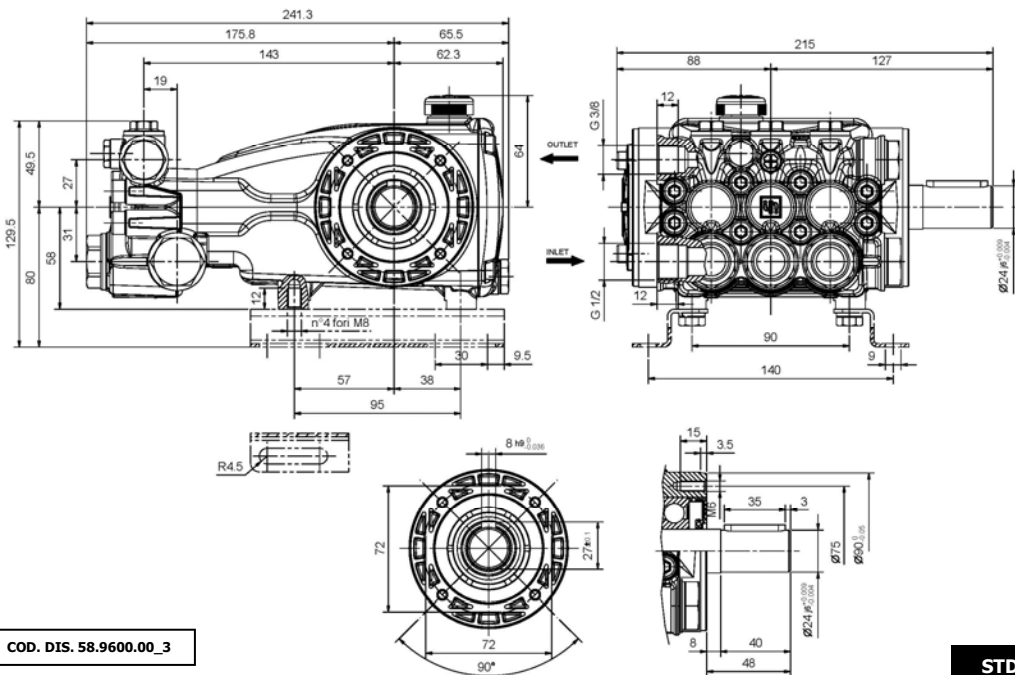
POS	COD.	DESCRIZIONE – DESCRIPTION - KIT	NR
1	36.3506.51	Pomolo di regolazione	1
2	10.0846.66	Forcella per pomolo di regolazione	1
3	90.3845.00	OR D. 18.72x2.62 NBR 70SH 3075	1
4	36.3481.70	Registro di pressione	1
5	36.3486.51	Rondella di scorrimento	2
6	94.7395.00	Molla Dm. 11.3x34.5	1
13	99.1267.00	Vite M4x5 UNI 5929	1
14	36.3477.70	Ghiera di pressione massima	1
16	90.3587.00	OR D. 11.11x1.78 NBR 70SH 114	1
17	90.3581.00	OR D. 8.73x1.78 NBR 70SH 108	1
18	90.5038.00	Anello antiest. D. 9.0x12.0x1.5	1
19	90.3578.00	OR D. 7.66x1.78 NBR 70SH 2031	1
20	36.3483.66	Sede	1
21	58.1203.41 58.1204.41 58.1205.41 58.1209.41 58.1210.41 58.1211.41 58.1213.41	Testata con valv. integ. DX D. 13 Testata con valv. integ. DX D. 15 Testata con valv. integ. DX D. 18 Testata con valv. integ. SX D. 13 Testata con valv. integ. SX D. 15 Testata con valv. integ. SX D. 18 Testata con valv. integ. DX D. 15 – NK	1
23	90.3823.00	OR D. 9.92x2.62 NBR 70SH 112	278 1
24	97.4838.00	Sfera D. 13/32"	278 1
25	94.7355.00	Molla Dm. 8.5x12.0	278 1
26	36.3104.51	Guida valvola	278 1
27	90.3839.00	OR D. 15.88x2.62 NBR 70SH 121	278 1
28	36.3490.70 36.3489.70 36.3488.70 36.3487.70 36.3479.70	Nipplo 3/8" NPT – F – D. 3 Nipplo G 3/8" – F – D. 3 Nipplo M22x1.5 – D. 3 Nipplo 3/8" NPT – M – D. 3 Nipplo G 3/8" – M – D. 3	1
29	98.2041.00 98.2042.00	Tappo G 1/4"x9 Tappo G 1/4"x9 - NK	1
30	90.3585.00	OR D. 10.82x1.78 NBR 70SH 2043 279-280	1
31	10.0795.66 10.0798.66	Ugello per iniettore D. 2.0 Ugello per iniettore D. 2.2	1
32	94.8217.00	Molla Dm. 4.3/7.3x11.0	279-280 1
33	97.4782.00	Sfera D. 7/32"	279-280 1

POS	COD.	DESCRIZIONE – DESCRIPTION - KIT	NR
34	90.3573.00	OR D. 5.28x1.78 NBR 70SH 2021 279-280	2
35	36.3482.70	Sede valvola detergente	279 1
36	97.6615.00	Spina elastica D. 2.0x12.0	279 1
37	94.7334.00	Molla Dm. 6.4x12.5	279 1
38	36.3484.51	Pomolo detergente rosso	279 1
39	36.3342.70	Otturatore con portagomma	279 1
40	36.3492.70	Portagomma	280 1
47	36.6054.01	Frutto valvola con sede	278 1
OPTIONALS			
41	90.3841.00	OR D. 17.13x2.62 NBR 70SH 3068	1
42	36.3182.51	Nipplo aspirazione G 3/4"	1
43	92.8925.00	Filtro D. 12.0x35.0	1
44	90.3828.00	OR D. 12.37x2.62 NBR 70SH 3050	1
45	36.2569.51	Portagomma aspirazione	1
46	92.9828.00	Ghiera G 3/4" – D. 15	1

KIT RICAMBI – SPARE KITS

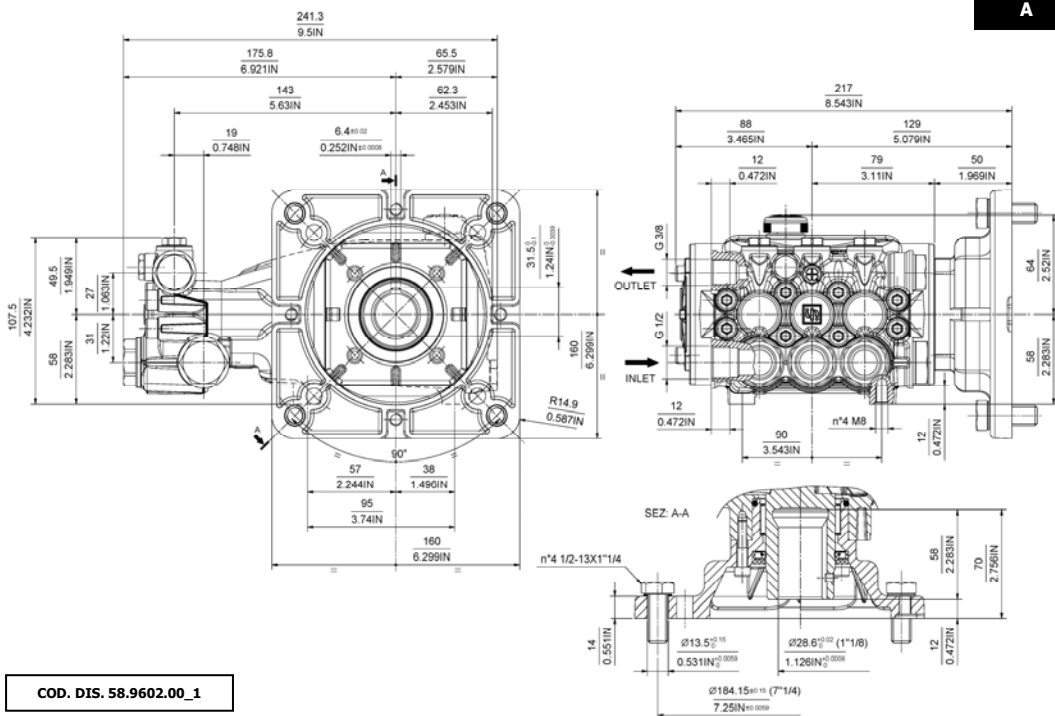
KIT NR.	KIT 278	KIT 279	KIT 280
Posizioni include Positions included	23 - 24 25 - 26 27 - 47	30 - 32 33 - 34 35 - 36 37 - 38 39	30 - 32 33 - 34 40
Nr. Pcs.	-	-	-

**DIMENSIONI D'INGOMBRO – OVERALL DIMENSIONS – DIMENSIONS D'ENCOMBREMENT
RAUMBEDARF – DIMENSIONES TOTALES – DIMENSÕES**



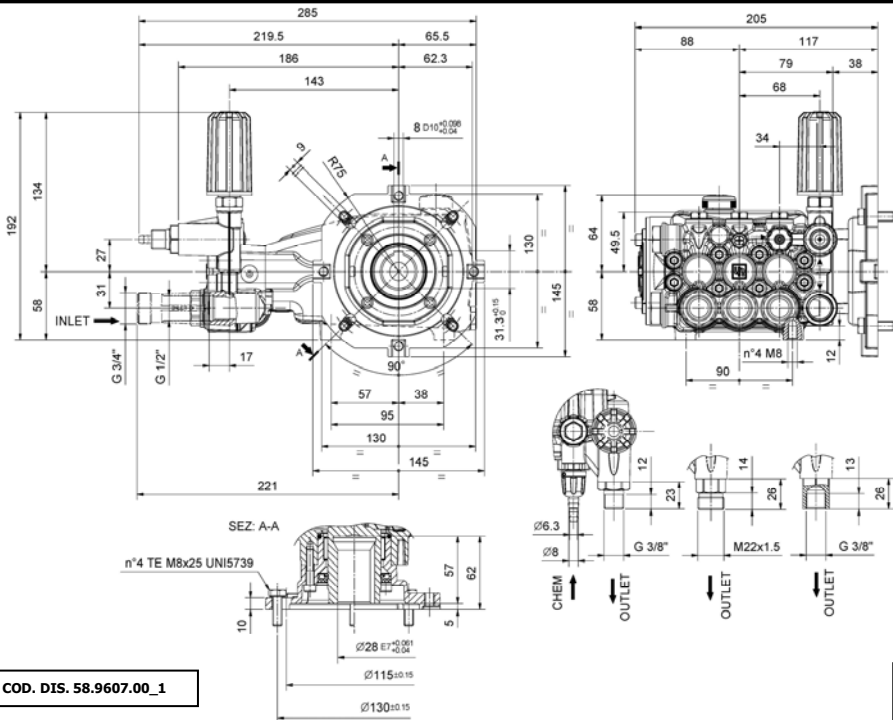
COD. DIS. 58.9600.00_3

**STD.
A**



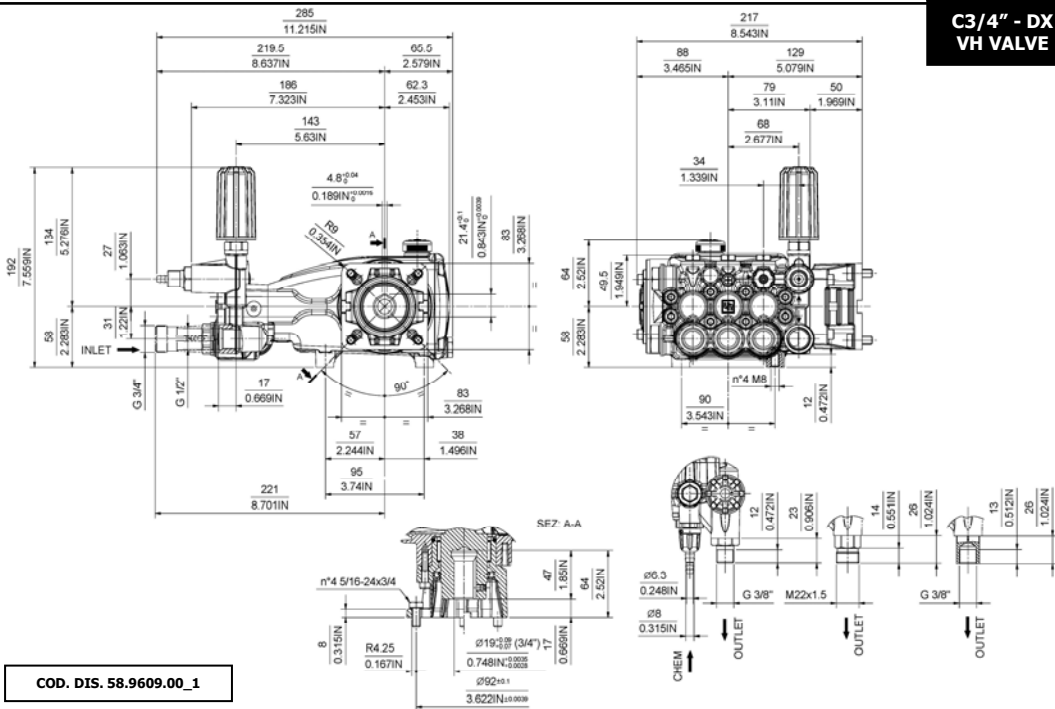
COD. DIS. 58.9602.00_1

**DIMENSIONI D'INGOMBRO – OVERALL DIMENSIONS – DIMENSIONS D'ENCOMBREMENT
RAUMBEDARF – DIMENSIONES TOTALES – DIMENSÕES**



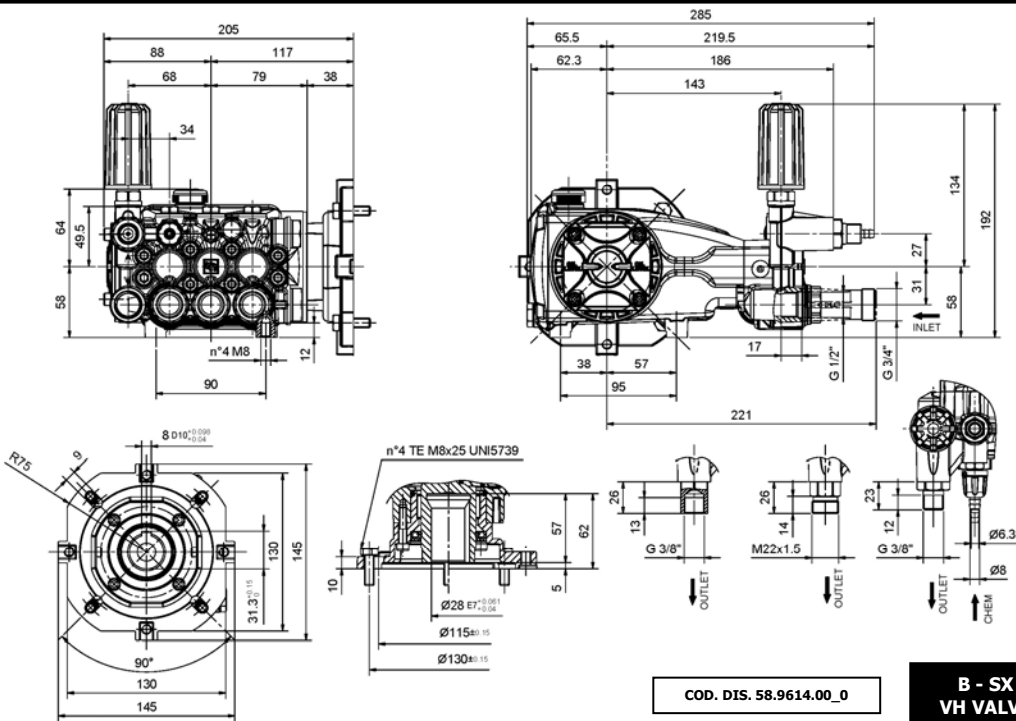
COD. DIS. 58.9607.00_1

**B - DX
VH VALVE
C3/4" - DX
VH VALVE**



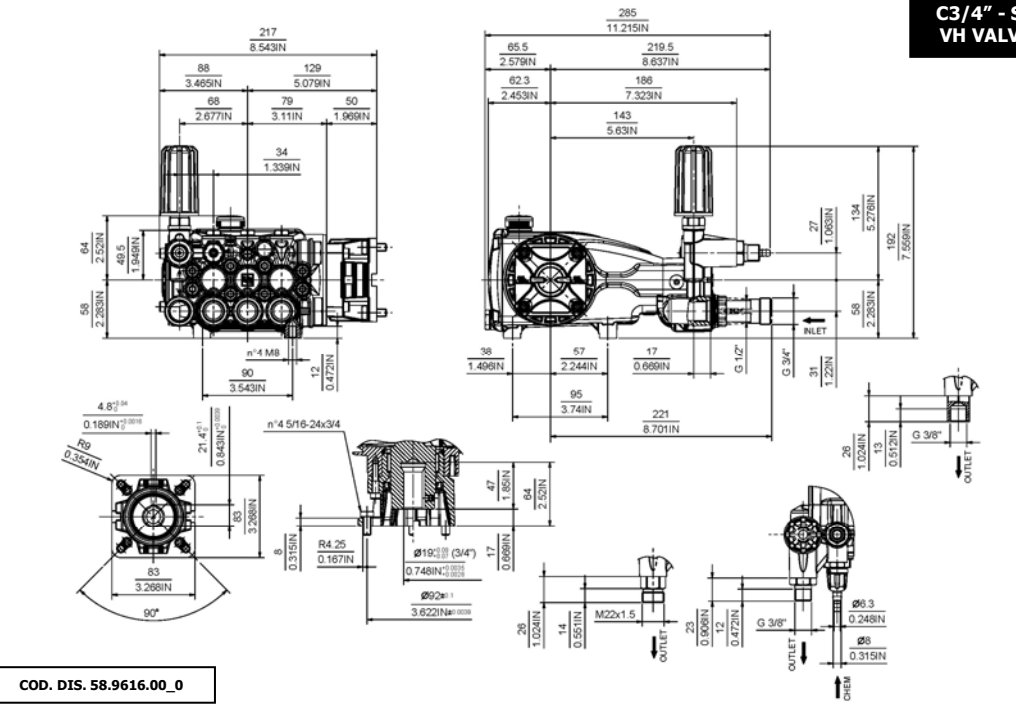
COD. DIS. 58.9609.00_1

**DIMENSIONI D'INGOMBRO – OVERALL DIMENSIONS – DIMENSIONS D'ENCOMBREMENT
RAUMBEDARF – DIMENSIONS TOTALES – DIMENSÕES**



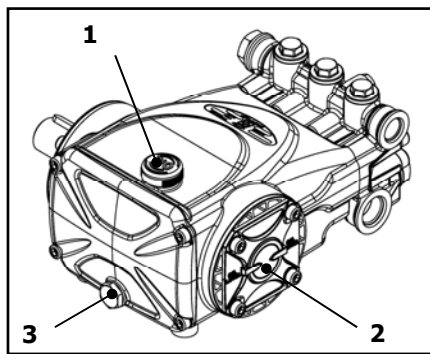
**B - SX
VH VALVE**

**C3/4" - SX
VH VALVE**



1 - CAMBIO OLIO

- 1.1 – Il cambio dell'olio va eseguito con pompa a temperatura di lavoro.
- 1.2 – Posizionare un recipiente sotto il tappo di scarico olio (3).
- 1.3 – Rimuovere il tappo con asta (1) e successivamente il tappo di scarico (3).
- 1.4 – Attendere fino a quando tutto l'olio è uscito, quindi riavvitare il tappo di scarico (3) con la coppia torcente indicata su disegno esploso.
- 1.5 – Riempire con olio nuovo fino al raggiungimento della mezzeria del tappo spia livello olio (2) e riavvitare il tappo con asta (1).



Per il tipo di olio da utilizzare fare riferimento a quanto indicato sul libretto generico.



ATTENZIONE: L'olio esausto deve essere raccolto in recipienti e smaltito negli appositi centri in accordo alla normativa vigente. Non deve essere assolutamente disperso nell'ambiente.

1 – OIL CHANGING

- 1.1 – Oil changing must be done with the pump at operating temperature.
- 1.2 – Put a container under the oil drain plug (3).
- 1.3 – Remove the oil dipstick (1) and then the drain plug (3).
- 1.4 – Wait until all the oil has drained out, then screw the drain plug (3) and tighten at the torque shown in the exploded diagram.
- 1.5 – Fill with new oil until the middle of the oil level indicator (2) is reached, screw by hand the oil dipstick (1).

Refer to the generic booklet for the type of oil to use.



WARNING: The exhaust oil must be collected in receptacles and disposed of at authorised centres as specified by law. It must not be thrown away in the environment.

1 - CHANGEMENT DE L'HUILE

- 1.1 – Le changement de l'huile doit être exécuté avec la pompe à température d'exercice.
- 1.2 – Placer un récipient sous le bouchon de vidange de l'huile (3).
- 1.3 – Enlever le bouchon-jauge (1), puis enlever le bouchon de vidange (3).
- 1.4 – Attendre que toute l'huile soit sortie, puis revisser le bouchon de vidange (3) avec le couple de torsion qui est indiqué sur le dessin éclaté.
- 1.5 – Remplir avec de l'huile neuve jusqu'à la ligne médiane du bouchon indicateur du niveau d'huile (2), et revisser le bouchon-jauge (1).

Pour le type d'huile à utiliser, se référer à ce qui est indiqué sur la notice générale.



ATTENTION : L'huile usée doit être recueillie dans des récipients et éliminée dans les centres prévus à cet effet, conformément à la réglementation en vigueur. Il ne faut absolument pas la jeter dans l'environnement.

1 - ÖLWECHSEL

1.1 – Beim Ölwechsel muss die Pumpe Betriebstemperatur aufweisen.

1.2 – Unter den Ölablassverschluss (3) einen Behälter stellen.

1.3 – Den Verschluss mit dem Stab (1) und danach den Ablassverschluss (3) abnehmen.

1.4 – Warten, bis das gesamte Öl abgelassen ist und den Ablassverschluss (3) mit dem auf der Übersichtszeichnung angegebenen Drehmoment wieder anschrauben.

1.5 – Mit frischem Öl füllen, bis die Mittellinie des Ölstandkontrollverschlusses (2) erreicht ist und den Verschluss mit dem Stab (1) wieder anschrauben.

Bezüglich der verwendbaren Ölsorten siehe die Angaben im allgemeinen Handbuch.



ACHTUNG: Das Altöl muss in Behältern gesammelt und gemäß den geltenden Vorschriften bei den hierfür vorgesehenen Zentren entsorgt werden. Es darf keinesfalls umweltschädigend entsorgt werden.

1 - CAMBIO DE ACEITE

1.1 – El cambio de aceite se efectúa con bomba a temperatura de trabajo.

1.2 – Colocar un recipiente debajo del tapón de descarga de aceite (3).

1.3 – Extraer el tapón con varilla (1) y seguidamente el tapón de descarga (3).

1.4 – Esperar hasta que haya salido todo el aceite, volver a enroscar el tapón de descarga (3) con el par de torsión indicado en el despiece.

1.5 – Llenar con aceite nuevo hasta alcanzar la línea media del tapón indicador de nivel de aceite (2) y volver a enroscar el tapón con varilla (1).

Para el tipo de aceite que debe utilizarse, remitirse a las indicaciones del manual general.



ATENCIÓN: El aceite residual debe recogerse en recipientes y eliminarse en los centros pertinentes de acuerdo con la normativa vigente. En ningún caso debe dispersarse en el ambiente.

1 - TROCA DE ÓLEO

1.1 – A troca de óleo deve ser feita com a bomba na temperatura de trabalho.

1.2 – Posicionar um recipiente embaixo da tampa de descarga de óleo (3).

1.3 – Remover a tampa com o pino (1) e, em seguida, a tampa de descarga (3).

1.4 – Esperar que todo o óleo saia, recolocar a tampa de descarga (3) com o binário de torção indicado no desenho explodido.

1.5 – Encher com o óleo novo até chegar na linha da tampa de controle do nível do óleo (2) e recolocar a tampa com o pino (1).

Para o tipo de óleo a ser utilizado, consultar as indicações do livro genérico.



ATENÇÃO: O óleo consumido deve ser coletado em recipientes e eliminado nos locais adequados, de acordo com a normativa vigente. Não deve, de modo algum, ser jogado no ambiente.

DICHIARAZIONE DI INCORPORAZIONE

(Ai sensi dell'allegato II della Direttiva Europea 2006/42/CE)

Il produttore **INTERPUMP GROUP S.p.A. – Via E. Fermi, 25 – 42049 S. ILARIO D'ENZA (RE) – Italia** **DICHIARA** sotto la propria esclusiva responsabilità che il prodotto identificato e descritto come segue:

Denominazione:	Pompa
Tipo:	Pompa alternativa a pistoni per acqua ad alta pressione
Marchio di fabbrica:	INTERPUMP GROUP
Serie:	58
Modello:	E2B1618 E2B2008 E2B2808 E2B2010 E2B1711 E2B1712 E2B1713 E2B2014 E2B2015 E2C2109 E2C2809 E2C2111 E2C2112 E2C1713 E2C1714 E2C1715 E2C2016 E2D2010 E2D2810 E2D2011 E2D2811 E2D2812 E2D2013 E2D2813 E2D2015 E2D2016 E2E2108 E2E2808 E2E2810 E2E2111 E2E2811 E2E2812 E2E2113 E2E2813 E2E2114 E2E2815 E2E2116

Risulta essere conforme alla Direttiva Macchine 2006/42/CE.

Norme applicate: UNI EN ISO 12100:2010 - UNI EN 809:2009

La pompa sopra identificata rispetta i seguenti requisiti essenziali di sicurezza e di tutela della salute elencati nel punto 1 dell'allegato I della Direttiva Macchine:

1.1.1 - 1.1.2 – 1.1.3 – 1.1.5 – 1.1.6 - 1.3.1 – 1.3.2 – 1.3.3 – 1.3.4 – 1.5.4 – 1.6.1 – 1.7.1 – 1.7.2 – 1.7.4 – 1.7.4.1 – 1.7.4.2

e la relativa documentazione tecnica è stata compilata in conformità dell'allegato VII B.

Inoltre il produttore si impegna a rendere disponibile, a seguito di una richiesta adeguatamente motivata, copia della documentazione tecnica pertinente la pompa nei modi e nei termini da definire.

La pompa non deve essere messa in servizio finché l'impianto al quale la pompa deve essere incorporata è stato dichiarato conforme alle disposizioni delle relative direttive e/o norme.

Persona autorizzata a costituire il fascicolo tecnico

Nome: Roberto Menozzi

Indirizzo: INTERPUMP GROUP S.p.A. – Via E. Fermi,
25 – 42049 S. ILARIO D'ENZA (RE) – Italia

Persona autorizzata a redigere la dichiarazione:

Nome : Ing. Silvio Corrias

Reggio Emilia 05/2021

Firma:



DECLARATION OF INCORPORATION

(In accordance with Annex II of European Directive 2006/42/CE)

The manufacturer **INTERPUMP GROUP S.p.A. – Via E. Fermi, 25 – 42049 S. ILARIO D'ENZA (RE) – Italy** **DECLARES** under sole responsibility that the product identified and described as follows:

Name: Pump
Type: Reciprocating plunger pump for high pressure water
Trademark: INTERPUMP GROUP
Series: 58
Model: E2B1618 E2B2008 E2B2808 E2B2010 E2B1711 E2B1712 E2B1713 E2B2014 E2B2015
E2C2109 E2C2809 E2C2111 E2C2112 E2C1713 E2C1714 E2C1715 E2C2016 E2D2010
E2D2810 E2D2011 E2D2811 E2D2812 E2D2013 E2D2813 E2D2015 E2D2016 E2E2108
E2E2808 E2E2810 E2E2111 E2E2811 E2E2812 E2E2113 E2E2813 E2E2114 E2E2815
E2E2116

complies with Machinery Directive 2006/42/EC.

Standards applied: UNI EN ISO 12100:2010 - UNI EN 809:2009

The pump identified above meets all the essential safety and health protection requirements as listed in section 1 of Annex I of the Machinery Directive:

1.1.1 - 1.1.2 – 1.1.3 – 1.1.5 – 1.1.6 - 1.3.1 – 1.3.2 – 1.3.3 – 1.3.4 – 1.5.4 – 1.6.1 – 1.7.1 – 1.7.2 – 1.7.4 – 1.7.4.1 – 1.7.4.2

and the relevant technical documentation has been compiled in accordance with Annex VII B.

In addition, the manufacturer undertakes to make available, following a reasoned request, a copy of the relevant technical pump documentation in the manner and terms to be defined.

The pump should not be put into service until the plant to which the pump is to be incorporated has been declared in accordance with the provisions of the relevant directives and/or standards.

Person authorised to compile the technical file

Name: Roberto Menozzi

Address: INTERPUMP GROUP S.p.A. – Via E. Fermi,
25 – 42049 S. ILARIO D'ENZA (RE) – Italy

Person authorized to draw up the declaration:

Name : Mr. Silvio Corrias

Reggio Emilia 05/2021

Signature:



DÉCLARATION D'INCORPORATION

(Conformément à l'annexe II de la Directive Européenne 2006/42/CE)

Le fabricant **INTERPUMP GROUP S.p.A. – Via E. Fermi, 25 – 42049 S. ILARIO D'ENZA (RE) – Italie**

DÉCLARE sous sa seule responsabilité que le produit identifié et décrit comme suit :

Dénomination : Pompe
Type : Pompe alternative à pistons pour eau à haute pression
Marque de fabrication : INTERPUMP GROUP
Séries : 58
Modèle : E2B1618 E2B2008 E2B2808 E2B2010 E2B1711 E2B1712 E2B1713 E2B2014
E2B2015 E2C2109 E2C2809 E2C2111 E2C2112 E2C1713 E2C1714 E2C1715
E2C2016 E2D2010 E2D2810 E2D2011 E2D2811 E2D2812 E2D2013 E2D2813
E2D2015 E2D2016 E2E2108 E2E2808 E2E2810 E2E2111 E2E2811 E2E2812
E2E2113 E2E2813 E2E2114 E2E2815 E2E2116

Est conforme à la Directive Machines 2006/42/CE.

Normes appliquées : UNI EN ISO 12100:2010 - UNI EN 809:2009

La pompe identifiée ci-dessus répond aux exigences essentielles de sécurité et protection de la santé suivantes énumérées au point 1 de l'annexe I de la Directive Machines :

1.1.1 - 1.1.2 – 1.1.3 – 1.1.5 – 1.1.6 - 1.3.1 – 1.3.2 – 1.3.3 – 1.3.4 – 1.5.4 – 1.6.1 – 1.7.1 – 1.7.2 – 1.7.4 – 1.7.4.1 – 1.7.4.2

et la documentation technique pertinente est constituée conformément à l'annexe VII B.

De plus, le fabricant s'engage à rendre disponible, suite à une demande adéquatement motivée, une copie de la documentation technique relative à la pompe dans les modes et les termes à définir.

La pompe ne doit pas être mise en marche tant que l'installation à laquelle la pompe doit être incorporée n'a pas été déclarée conforme aux dispositions des directives et / ou normes relatives.

Personne autorisée à réaliser le manuel technique

Nom : Roberto Menozzi

Adresse : INTERPUMP GROUP S.p.A. – Via E. Fermi,
25 – 42049 S. ILARIO D'ENZA (RE) – Italie

Personne autorisée à rédiger la déclaration :

Nom : Ing. Silvio Corrias

Reggio Emilia 05/2021

Signature :



EINBAUERKLÄRUNG

(gemäß Anhang II der Europäischen Richtlinie 2006/42/EG)

Der Hersteller **INTERPUMP GROUP S.p.A. – Via E. Fermi, 25 – 42049 S. ILARIO D'ENZA (RE) – Italien** **ERKLÄRT** auf alleinige Verantwortung, dass das wie folgt bezeichnete und beschriebene Produkt:

Bezeichnung: Pumpe
Typ: Kolbenhubpumpe für Hochdruckwasser
Herstellermarke: INTERPUMP GROUP
Serie: 58
Modell: E2B1618 E2B2008 E2B2808 E2B2010 E2B1711 E2B1712 E2B1713 E2B2014
E2B2015 E2C2109 E2C2809 E2C2111 E2C2112 E2C1713 E2C1714 E2C1715
E2C2016 E2D2010 E2D2810 E2D2011 E2D2811 E2D2812 E2D2013 E2D2813
E2D2015 E2D2016 E2E2108 E2E2808 E2E2810 E2E2111 E2E2811 E2E2812
E2E2113 E2E2813 E2E2114 E2E2815 E2E2116

mit der Maschinenrichtlinie 2006/42/EG konform ist.

Angewandte Normen: UNI EN ISO 12100:2010 - UNI EN 809:2009

Die oben genannte Pumpe genügt den folgenden grundlegenden Sicherheits- und Gesundheitsschutzanforderungen, die unter Punkt 1 des Anhangs I der Maschinenrichtlinie aufgeführt sind: 1.1.1 - 1.1.2 – 1.1.3 – 1.1.5 – 1.1.6 - 1.3.1 – 1.3.2 – 1.3.3 – 1.3.4 – 1.5.4 – 1.6.1 – 1.7.1 – 1.7.2 – 1.7.4 – 1.7.4.1 – 1.7.4.2

Die speziellen technischen Unterlagen wurden gemäß Anhang VII Teil B erstellt.

Darüber hinaus verpflichtet sich der Hersteller einzelstaatlichen Stellen auf begründetes Verlangen die speziellen technischen Unterlagen zur Pumpe in festzulegenden Modalitäten und Fristen zu übermitteln.

Die Pumpe darf erst dann in Betrieb genommen werden, wenn gegebenenfalls festgestellt wurde, dass die Maschine, in die die Pumpe eingebaut werden soll, den Bestimmungen der entsprechenden Richtlinien und/oder Normen entspricht.

Person, die bevollmächtigt ist, die relevanten technischen Unterlagen zusammenzustellen: Roberto Menozzi

Adresse: INTERPUMP GROUP S.p.A. – Via E. Fermi,
25 – 42049 S. ILARIO D'ENZA (RE) – Italien

Person, die zur Ausstellung dieser Erklärung bevollmächtigt ist: Ing. Silvio Corrias

Reggio Emilia 05/2021

Unterschrift:



DECLARACIÓN DE INCORPORACIÓN

(De acuerdo con el anexo II de la Directiva Europea 2006/42/CE)

El fabricante **INTERPUMP GROUP S.p.A. – Via E. Fermi, 25 – 42049 S. ILARIO D'ENZA (RE) – Italia**

DECLARA bajo su propia y exclusiva responsabilidad al producto identificado y descrito del siguiente modo:

Denominación: Bomba
Tipo: Bomba alternativa con pistones para agua de alta presión
Marca del fabricante: INTERPUMP GROUP
Serie: 58
Modelo: E2B1618 E2B2008 E2B2808 E2B2010 E2B1711 E2B1712 E2B1713 E2B2014
E2B2015 E2C2109 E2C2809 E2C2111 E2C2112 E2C1713 E2C1714 E2C1715
E2C2016 E2D2010 E2D2810 E2D2011 E2D2811 E2D2812 E2D2013 E2D2813
E2D2015 E2D2016 E2E2108 E2E2808 E2E2810 E2E2111 E2E2811 E2E2812
E2E2113 E2E2813 E2E2114 E2E2815 E2E2116

Resulta estar conforme con la Directiva de Máquinas 2006/42/CE.

Normas aplicadas: UNI EN ISO 12100:2010 - UNI EN 809:2009

La bomba identificada anteriormente respeta los siguientes requisitos esenciales de seguridad y de protección de la salud citados en el punto 1 del anexo I de la Directiva de Máquina:

1.1.1 - 1.1.2 – 1.1.3 – 1.1.5 – 1.1.6 - 1.3.1 – 1.3.2 – 1.3.3 – 1.3.4 – 1.5.4 – 1.6.1 – 1.7.1 – 1.7.2 – 1.7.4 – 1.7.4.1 – 1.7.4.2

y la correspondiente documentación técnica ha sido compilada de acuerdo con el anexo VII B.

Además el fabricante se compromete en hacer disponible, después haberse llevado a cabo una solicitud adecuadamente motivada, una copia de la documentación técnica pertinente de la bomba en una modalidad y en un plazo aún por definir.

La bomba no debe ser puesta en funcionamiento, hasta que el sistema al cuál la bomba debe ser incorporada, haya sido declarado conforme a las disposiciones de las respectivas directivas y/o normativas.

Persona autorizada a realizar el fascículo técnico


Nombre: Roberto Menozzi

Dirección: INTERPUMP GROUP S.p.A. – Via E. Fermi,
25 – 42049 S. ILARIO D'ENZA (RE) – Italia

Persona autorizada a redactar la declaración:

Nombre : Ing. Silvio Corrias

Reggio Emilia 05/2021

Firma: 

DECLARAÇÃO DE INCORPORAÇÃO

(Nos termos do anexo II da Directiva Europeia 2006/42/CE)

O fabricante **INTERPUMP GROUP S.p.A. – Via E. Fermi, 25 – 42049 S. ILARIO D'ENZA (RE) – Itália**
DECLARA sob a sua exclusiva responsabilidade que o produto identificado e descrito tal como se segue:

Denominação: Bomba
Tipo: Bomba alternativa com pistões para água a alta pressão
Marca de fábrica: INTERPUMP GROUP
Series: 58
Modelo: E2B1618 E2B2008 E2B2808 E2B2010 E2B1711 E2B1712 E2B1713 E2B2014
E2B2015 E2C2109 E2C2809 E2C2111 E2C2112 E2C1713 E2C1714 E2C1715
E2C2016 E2D2010 E2D2810 E2D2011 E2D2811 E2D2812 E2D2013 E2D2813
E2D2015 E2D2016 E2E2108 E2E2808 E2E2810 E2E2111 E2E2811 E2E2812
E2E2113 E2E2813 E2E2114 E2E2815 E2E2116

Está em conformidade com a Directiva Máquinas 2006/42/CE.

Normas aplicadas: UNI EN ISO 12100:2010 - UNI EN 809:2009

A bomba acima identificada respeita os seguintes requisitos essenciais de segurança e de tutela da saúde, referidos no ponto 1 do anexo I da Directiva Máquinas:

1.1.1 - 1.1.2 – 1.1.3 – 1.1.5 – 1.1.6 - 1.3.1 – 1.3.2 – 1.3.3 – 1.3.4 – 1.5.4 – 1.6.1 – 1.7.1 – 1.7.2 – 1.7.4 – 1.7.4.1 – 1.7.4.2

e a respectiva documentação técnica foi compilada em conformidade com o anexo VII B.

Além disso, o fabricante compromete-se a disponibilizar, mediante pedido adequadamente motivado, uma cópia da documentação técnica referente à bomba, em modos e termos a definir.

A bomba não deve ser colocada em funcionamento até que o sistema no qual tem de ser incorporada seja declarado em conformidade com as disposições das respectivas directivas e/ou normas.

Pessoa autorizada a compilar a documentação técnica Nome: Roberto Menozzi

Morada: INTERPUMP GROUP S.p.A. – Via E. Fermi,
25 – 42049 S. ILARIO D'ENZA (RE) – Itália

Pessoa autorizada a redigir a declaração: Nome : Eng.º Silvío Corrias

Reggio Emilia 05/2021

Assinatura:



COPYRIGHT Il contenuto di questo libretto è di proprietà di INTERPUMP GROUP, ne è vietata la riproduzione e/o la divulgazione, anche parziale, a termini di legge.

COPYRIGHT The contents of this booklet are the property of INTERPUMP GROUP. Reproduction and divulgation, in whole or in part, are prohibited by law.

COPYRIGHT Le contenu de cette notice appartient à INTERPUMP GROUP : aux termes de la loi il est interdit de le reproduire et/ou de le divulguer, même partiellement.

COPYRIGHT Der Inhalt dieser Bedienungsanleitung ist Eigentum von INTERPUMP GROUP. Die auch nur teilweise Reproduktion und/oder Verbreitung ist gesetzlich verboten.

COPYRIGHT El contenido del presente manual es propiedad de INTERPUMP GROUP y está legalmente prohibida su reproducción y/o divulgación parcial o total.

COPYRIGHT O conteúdo deste livro é de propriedade da INTERPUMP GROUP, e é proibida a sua reprodução e/ou a sua divulgação, mesmo parcial, nos termos da lei.

Le informazioni presenti su questo documento possono essere variate senza preavviso.

The information contained in this document may change without notice.

Les informations présentes sur ce document peuvent être changées sans besoin de préavis.

Die in diesem Dokument enthaltenen Informationen können ohne Vorankündigung geändert werden.

La información contenida en el presente documento puede modificarse sin previo aviso.

As informações contidas neste documento poderão ser sujeitas a alterações sem aviso prévio.



**INTERPUMP
GROUP**

**AZIENDA CON SISTEMA
DI GESTIONE QUALITÀ
CERTIFICATO DA DNV GL
= ISO 9001 =**

VIA FERMI, 25 42049 S.ILARIO – REGGIO EMILIA (ITALY)
TEL.+39 – 0522 - 904311 TELEFAX +39 – 0522 – 904444
E-mail: info@interpumpgroup.it - <http://www.interpumpgroup.it>